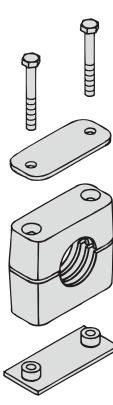


acc. to DIN 3015, Part 1

**Order Code**

SP \* \*\*,\* xxx DP-AS

Material and design of clamp body  
 ↳ Pipe-O.D.  
 ↳ STAUFF Group

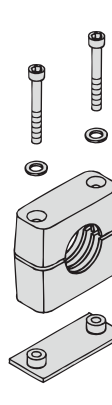


**Clamp consisting of:**  
 1 x Single Weld Plate  
 1 x Clamp Body  
 (2 halves)  
 1 x Cover Plate  
 2 x Hexagon Head Bolt  
 DIN 931/933

**Order Code**

SP \* \*\*,\* xxx IS

Material and design of clamp body  
 ↳ Pipe-O.D.  
 ↳ STAUFF Group

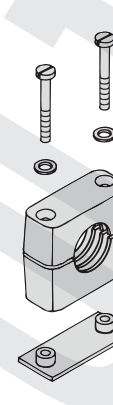


**Clamp consisting of:**  
 1 x Single Weld Plate  
 1 x Clamp Body  
 (2 halves)  
 2 x Socket Cap Screw  
 DIN 912  
 with washer

**Order Code**

SP \* \*\*,\* xxx LI

Material and design of clamp body  
 ↳ Pipe-O.D.  
 ↳ STAUFF Group

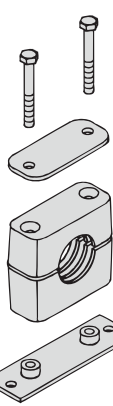


**Clamp consisting of:**  
 1 x Single Weld Plate  
 1 x Clamp Body  
 (2 halves)  
 2 x Slotted Head Screw  
 DIN 84  
 with washer

**Order Code**

SPV \* \*\*,\* xxx DP-AS

Material and design of clamp body  
 ↳ Pipe-O.D.  
 ↳ STAUFF Group

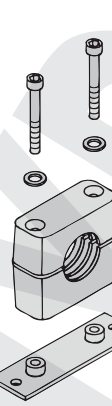


**Clamp consisting of:**  
 1 x Elongated Weld Plate  
 1 x Clamp Body  
 (2 halves)  
 1 x Cover Plate  
 2 x Hexagon Head Bolt  
 DIN 931/933

**Order Code**

SPV \* \*\*,\* xxx IS

Material and design of clamp body  
 ↳ Pipe-O.D.  
 ↳ STAUFF Group

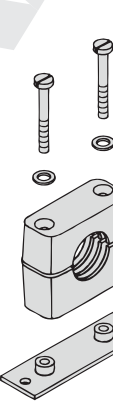


**Clamp consisting of:**  
 1 x Elongated Weld Plate  
 1 x Clamp Body  
 (2 halves)  
 2 x Socket Cap Screw  
 DIN 912  
 with washer

**Order Code**

SPV \* \*\*,\* xxx LI

Material and design of clamp body  
 ↳ Pipe-O.D.  
 ↳ STAUFF Group

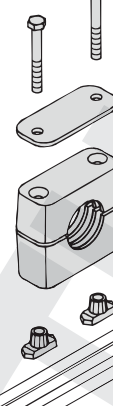


**Clamp consisting of:**  
 1 x Elongated Weld Plate  
 1 x Clamp Body  
 (2 halves)  
 2 x Slotted Head Screw  
 DIN 84  
 with washer

**Order Code**

SM \* \*\*,\* xxx DP-AS

Material and design of clamp body  
 ↳ Pipe-O.D.  
 ↳ STAUFF Group

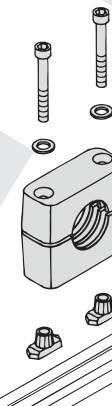


**Clamp consisting of:**  
 2 x Hexagon Rail Nut  
 1 x Clamp Body  
 (2 halves)  
 1 x Cover Plate  
 2 x Hexagon Head Bolt  
 DIN 931/933

**Order Code**

SM \* \*\*,\* xxx IS

Material and design of clamp body  
 ↳ Pipe-O.D.  
 ↳ STAUFF Group

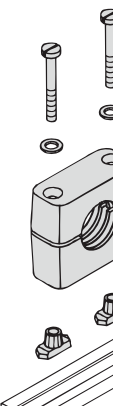


**Clamp consisting of:**  
 2 x Hexagon Rail Nut  
 1 x Clamp Body  
 (2 halves)  
 2 x Socket Cap Screw  
 DIN 912  
 with washer

**Order Code**

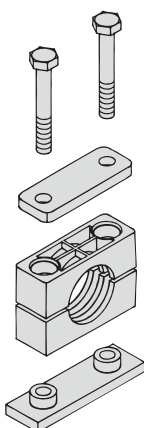
SM \* \*\*,\* xxx LI

Material and design of clamp body  
 ↳ Pipe-O.D.  
 ↳ STAUFF Group



**Clamp consisting of:**  
 2 x Hexagon Rail Nut  
 1 x Clamp Body  
 (2 halves)  
 2 x Slotted Head Screw  
 DIN 84  
 with washer

acc. to DIN 3015, Part 2



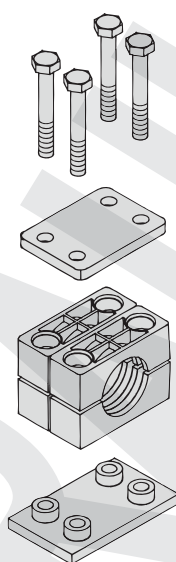
**Order Code**

**SPAL \*\* \*\*\*,\* xxx DPAL-AS**

- Material and design of clamp body
- Pipe-O.D.
- STAUFF Group

**Clamp consisting of:**

- 1 x Weld Plate for Single Clamp
- 1 x Clamp Body (2 halves)
- 1 x Cover Plate for Single Clamp
- 2 x Hexagon Head Bolt DIN 931/933



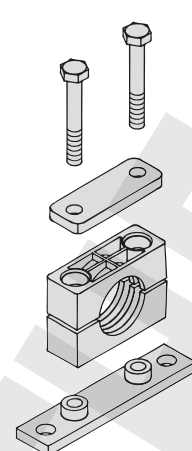
**Order Code**

**SPAS \*\* \*\*\*,\* xxx DPAS-AS**

- Material and design of clamp body
- Pipe-O.D.
- STAUFF Group

**Clamp consisting of:**

- 1 x Weld Plate for Double Clamp
- 2 x Clamp Body (2 halves)
- 1 x Cover Plate for Double Clamp
- 4 x Hexagon Head Bolt DIN 931/933



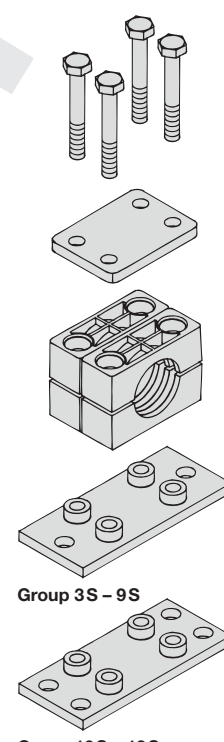
**Order Code**

**SPAL/DÜB \*\* \*\*\*,\* xxx DPAL-AS**

- Material and design of clamp body
- Pipe-O.D.
- STAUFF Group

**Clamp consisting of:**

- 1 x Elongated Weld Plate for Single Clamp
- 1 x Clamp Body (2 halves)
- 1 x Cover Plate for Single Clamp
- 2 x Hexagon Head Bolt DIN 931/933



**Order Code**

**SPAS/DÜB \*\* \*\*\*,\* xxx DPAS-AS**

- Material and design of clamp body
- Pipe-O.D.
- STAUFF Group

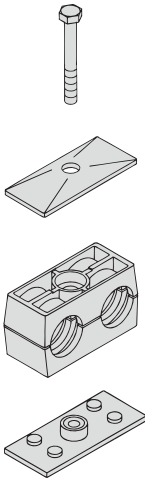
**Clamp consisting of:**

- 1 x Elongated Weld Plate for Double Clamp
- 2 x Clamp Body (2 halves)
- 1 x Cover Plate for Double Clamp
- 4 x Hexagon Head Bolt DIN 931/933

**Group 3S - 9S**

**Group 10S - 12S**

acc. to DIN 3015, Part 3



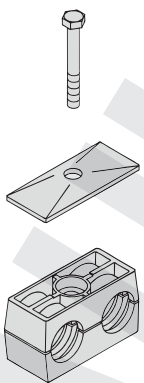
**Order Code**

SP \*\*\*,\*/\*\*,\* xxx GD-AS

- Material and design of clamp body
- Pipe-O.D. 2
- Pipe-O.D. 1
- STAUFF Group

**Clamp consisting of:**

- 1 x Single Weld Plate
- 1 x Clamp Body (2 halves)
- 1 x Cover Plate
- 1 x Hexagon Head Bolt DIN 931/933



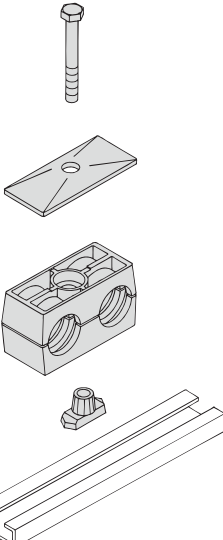
**Order Code**

\*\*\*,\*/\*\*,\* xxx GD-AS

- Material and design of clamp body
- Pipe-O.D. 2
- Pipe-O.D. 1
- STAUFF Group

**Clamp consisting of:**

- 1 x Clamp Body (2 halves)
- 1 x Cover Plate
- 1 x Hexagon Head Bolt DIN 931/933



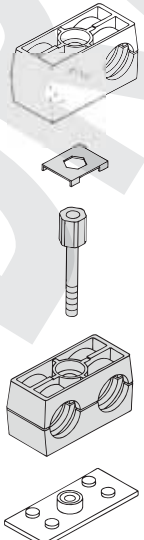
**Order Code**

SM \*\*\*,\*/\*\*,\* xxx GD-AS

- Material and design of clamp body
- Pipe-O.D. 2
- Pipe-O.D. 1
- STAUFF Group

**Clamp consisting of:**

- 1 x Hexagon Rail Nut
- 1 x Clamp Body (2 halves)
- 1 x Cover Plate
- 1 x Hexagon Head Bolt DIN 931/933



**Order Code**

\*\*\*,\*/\*\*,\* xxx SI-AF

- Material and design of clamp body
- Pipe-O.D. 2
- Pipe-O.D. 1
- STAUFF Group

**Clamp consisting of:**

- 1 x Clamp Body (2 halves)
- 1 x Stacking Bolt
- 1 x Safety Locking Plate

**Information**

Items are supplied non-assembled.