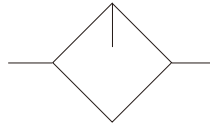


FEL



How to Order?

Series No.	Type Code	Port Size	Body Dimension
FE	L: Lubricator	M5: M5 M7: M7 Qs4: Push-in fitting QS4 Qs6: Push-in fitting QS6 01: G1/8 " 02: G1/4 " 03: G3/8 " 04: G1/2 " 06: G3/4 " 10: G1 "	MICRO: Body dimension 25mm MINI: Body dimension 40mm MIDI: Body dimension 55mm MAXI: Body dimension 66mm (All without Connecting Plates)

Order Example:

FE series Lubricator, 1/8 port size, body dimension 40mm. ERP code is: FEL-01 MINI

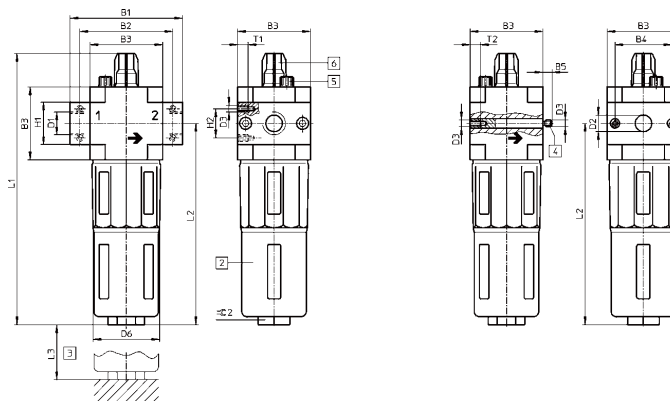
Specifications

Model	MINI			MIDI				MAXI		
	G1/8	G1/4	G3/8	G1/4	G3/8	G1/2	G3/4	G1/2	G3/4	G1
Gas interface	G1/8	G1/4	G3/8	G1/4	G3/8	G1/2	G3/4	G1/2	G3/4	G1
Working medium	Filtered compressed air									
Structural characteristics	The proportion of standard oil sprayer									
Installation	In the appendix									
	Installation position									
Valve lock	Vertical $\pm 5^\circ$									
Filtering level (μm)	40									
The maximum water volume	22			43				80		
The input pressure (MPa)	0.1~1.6MPa									
Oil mist collector minimum flow	3			8				10		
The maximum oil capacity	45			110				190		

Specifications

Model	Specifications	
	Rated flow (L/min)	Port size (G)
FEL-01-MINI	2500	1/8
FEL-02-MINI	2500	1/4
FEL-03-MINI	2500	3/8
FEL-02-MIDI	6100	1/4
FEL-03-MIDI	6100	3/8
FEL-04-MIDI	6100	1/2
FEL-06-MIDI	6100	3/4
FEL-04-MAXI	9000	1/2
FEL-06-MAXI	9000	3/4
FEL-10-MAXI	9000	1

Main Dimension



Model	B1	B2	B3	B4	D1	D3	D6	H1	H2
FEL-01-MINI	64	52	40	30	G1/8	M4	38	20	11
FEL-02-MINI	64	52	40	30	G1/4	M4	38	20	11
FEL-03-MINI	70	52	40	30	G3/8	M4	38	20	11
FEL-02-MIDI	85	70	55	43	G1/4	M5	52	32	22
FEL-03-MIDI	85	70	55	43	G3/8	M5	52	32	22
FEL-04-MIDI	85	70	55	43	G1/2	M5	52	32	22
FEL-06-MIDI	85	70	55	43	G3/4	M5	52	32	22
FEL-04-MAXI	96	80	66	46	G1/2	M5	65	32	22
FEL-06-MAXI	96	80	66	46	G3/4	M5	65	32	22
FEL-10-MAXI	116	91	66	46	G1	M5	65	40	22

Model	L1	L2	L3	T1	± 0.2
FEL-01-MINI	169	124	100	7	22
FEL-02-MINI	169	124	100	7	22
FEL-03-MINI	169	124	100	7	22
FEL-02-MIDI	204	151	120	8	24
FEL-03-MIDI	204	151	120	8	24
FEL-04-MIDI	204	151	120	8	24
FEL-06-MIDI	204	151	120	8	24
FEL-04-MAXI	228	170	150	8	24
FEL-06-MAXI	228	170	150	8	24
FEL-10-MAXI	228	170	150	8	24