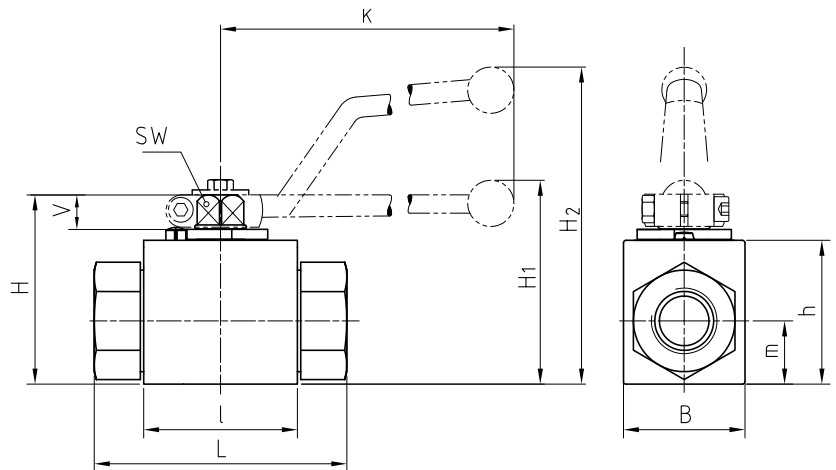
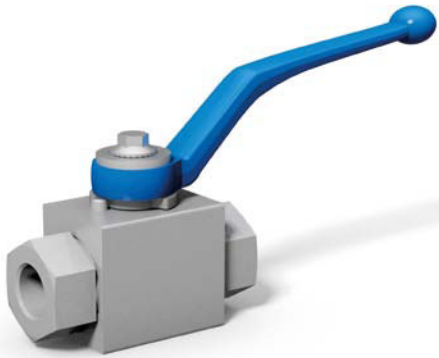


2-way ball valve Steel

BKH / BKHP420



AVAILABLE SIZES

DN4 - DN25 (1/8" to 1")

CONNECTIONS

DIN ISO 228 Female thread, ANSI B1.20.1 NPT Female thread, DIN 2353/ISO 8434-1 Light / Heavy series, SAE J 514/ISO/DIS11926-1 Female thread, ISO 7/1 Rc Female thread, ISO 8434-3 ORFS Male thread, others on request

ACCESSORIES ON REQUEST

- Locking devices page 226 - 229
- Actuators 224 - 225
- Mounting holes 17
- Position switches 232 - 233
- Combinations 188 - 190
- Detent on request

MATERIAL CODE DESCRIPTION

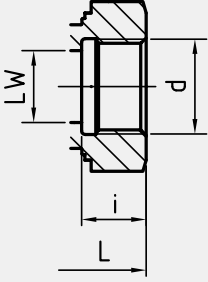
| Materials | 112A | 1128 |
|------------|---------------|---------------|
| Body | Steel | Steel |
| Ball | Steel | Steel |
| Stem | Steel | Steel |
| Ball seats | POM | POM |
| O-rings | NBR | FPM |
| Tmin /Tmax | -20°C / 100°C | -20°C / 100°C |

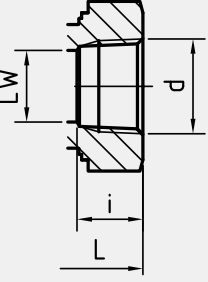
GENERAL DIMENSIONS

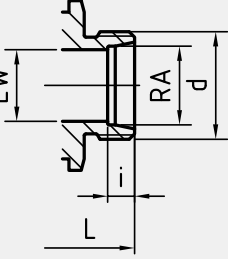
| Type | l | B | H | h | m | V | SW | K | H ₁ | H ₂ | Lever |
|--------------|----|----|----|----|------|----|----|-----|----------------|----------------|-------|
| BKH-DN4 | 40 | 26 | 47 | 33 | 13,5 | 11 | 9 | 115 | - | 82 | Zn |
| BKH-DN6 | 40 | 26 | 47 | 33 | 13,5 | 11 | 9 | 115 | - | 82 | Zn |
| BKH-DN8 | 40 | 26 | 47 | 33 | 13,5 | 11 | 9 | 115 | - | 82 | Zn |
| BKH-DN10 | 43 | 32 | 52 | 38 | 17,5 | 11 | 9 | 115 | - | 86 | Zn |
| BKH-DN13 | 48 | 35 | 54 | 40 | 19 | 11 | 9 | 115 | - | 89 | Zn |
| BKH-DN16 | 48 | 38 | 63 | 46 | 19 | 13 | 12 | 160 | - | 106 | Al |
| BKH-DN20 | 62 | 49 | 75 | 57 | 24,5 | 14 | 14 | 200 | 79 | - | Zn |
| BKH-DN25 | 66 | 58 | 83 | 65 | 29,5 | 14 | 14 | 200 | 87 | - | Zn |
| BKHP420-DN25 | 74 | 70 | 88 | 70 | 34,5 | 14 | 14 | 200 | 92 | - | Zn |
| BKH-DN25/32 | 66 | 58 | 83 | 65 | 29,5 | 14 | 14 | 200 | 87 | - | Zn |
| BKH-DN25/40 | 66 | 58 | 83 | 65 | 29,5 | 14 | 14 | 200 | 87 | - | Zn |

2-way ball valve Steel

BKH / BKHP420

| CONNECTION TYPE | DIMENSIONS | | | | | | ORDER CODE PER MATERIAL COMBINATION | | |
|---|--------------------|----|-----|------|--------|-------------|-------------------------------------|--------|--------|
| | Type | LW | L | i | d | Weight [Kg] | PN [bar] | 112A | 1128 |
| DIN ISO 228 FEMALE THREAD  | BKH-DN4-G1/8 | 5 | 69 | 10 | G1/8 | 0,41 | 500 | 20639* | 34799* |
| | BKH-DN6-G1/4 | 6 | 69 | 14 | G1/4 | 0,40 | 500 | 17401* | 17679* |
| | BKH-DN10-G3/8 | 10 | 72 | 14 | G3/8 | 0,54 | 500 | 17185* | 19901* |
| | BKH-DN13-G1/2 | 13 | 83 | 16,3 | G1/2 | 0,65 | 500 | 17253* | 17165* |
| | BKH-DN16-G5/8 | 15 | 83 | 16 | G5/8 | 0,70 | 420 | 21519* | 25726* |
| | BKH-DN20-G3/4 | 20 | 95 | 18 | G3/4 | 1,50 | 420 | 17254* | 17183* |
| | BKH-DN25-G1 | 25 | 113 | 20 | G1 | 2,20 | 315 | 17751* | 30379* |
| | BKHP420-DN25-G1 | 25 | 113 | 20 | G1 | 3,10 | 420 | 43622 | 43835 |
| | BKH-DN25/32-G1 1/4 | 25 | 120 | 22 | G1 1/4 | 2,30 | 315 | 17630* | 19765* |
| | BKH-DN25/40-G1 1/2 | 25 | 130 | 24 | G1 1/2 | 2,60 | 315 | 25357* | 29191* |

| CONNECTION TYPE | DIMENSIONS | | | | | | ORDER CODE PER MATERIAL COMBINATION | | |
|---|-----------------------|----|-----|------|-----------|-------------|-------------------------------------|--------|--------|
| | Type | LW | L | i | d | Weight [Kg] | PN [bar] | 112A | 1128 |
| ANSI B1.20.1 NPT FEMALE THREAD  | BKH-DN4-1/8"NPT | 5 | 69 | 10,5 | 1/8"NPT | 0,30 | 500 | 02832* | 25698* |
| | BKH-DN6-1/4"NPT | 6 | 69 | 13,7 | 1/4"NPT | 0,40 | 500 | 17174* | 24525* |
| | BKH-DN10-3/8"NPT | 10 | 72 | 13,5 | 3/8"NPT | 0,55 | 500 | 17175* | 25700* |
| | BKH-DN13-1/2"NPT | 13 | 83 | 17 | 1/2"NPT | 0,75 | 500 | 17176* | 24526* |
| | BKH-DN20-3/4"NPT | 20 | 95 | 18,3 | 3/4"NPT | 1,63 | 420 | 17177* | 25721* |
| | BKH-DN25-1"NPT | 25 | 113 | 21,6 | 1"NPT | 2,30 | 315 | 17178* | 25722* |
| | BKHP420-DN25-1"NPT | 25 | 113 | 21,6 | 1"NPT | 3,16 | 420 | 43836 | 43837 |
| | BKH-DN25/32-1 1/4"NPT | 25 | 120 | 22,1 | 1 1/4"NPT | 2,51 | 315 | 17179* | 25723* |
| | BKH-DN25/40-1 1/2"NPT | 25 | 130 | 22,1 | 1 1/2"NPT | 2,70 | 250 | 32506* | 32165* |

| CONNECTION TYPE | DIMENSIONS | | | | | | ORDER CODE PER MATERIAL COMBINATION | | | |
|--|-----------------|----|----|-----|------|----------|-------------------------------------|----------|--------|--------|
| | Type | LW | RA | L | i | d | Weight [Kg] | PN [bar] | 112A | 1128 |
| DIN 2353 / ISO 8434-1 LIGHT SERIES  | BKH-DN4-6L | 5 | 6 | 67 | 7 | M 12x1,5 | 0,36 | 500 | 17485* | 25703* |
| | BKH-DN6-8L | 6 | 8 | 67 | 7 | M 14x1,5 | 0,37 | 500 | 17380* | 25704* |
| | BKH-DN8-10L | 8 | 10 | 74 | 7 | M 16x1,5 | 0,38 | 500 | 17260* | 17600* |
| | BKH-DN10-12L | 10 | 12 | 74 | 7 | M 18x1,5 | 0,50 | 500 | 17381* | 25705* |
| | BKH-DN13-15L | 13 | 15 | 82 | 7 | M 22x1,5 | 0,61 | 500 | 17382* | 25706* |
| | BKH-DN13-18L | 13 | 18 | 82 | 7,5 | M 26x1,5 | 0,60 | 500 | 18385* | 25708* |
| | BKH-DN16-18L | 15 | 18 | 82 | 7,5 | M 26x1,5 | 0,75 | 420 | 17486* | 25709* |
| | BKH-DN20-22L | 20 | 22 | 101 | 7,5 | M 30x2 | 1,49 | 420 | 18567* | 25710* |
| | BKH-DN25-28L | 25 | 28 | 108 | 7,5 | M 36x2 | 2,00 | 315 | 17427* | 25711* |
| | BKH-DN25/32-35L | 25 | 35 | 112 | 10,5 | M 45x2 | 2,12 | 315 | 18672* | 02868* |
| | BKH-DN25/40-42L | 25 | 42 | 112 | 11 | M 52x2 | 2,27 | 315 | 20190* | 33207* |

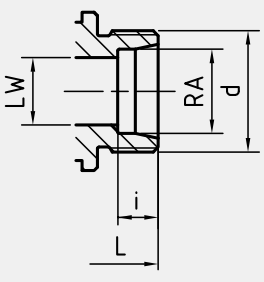
Please note the pressure ratings of the tube connections!

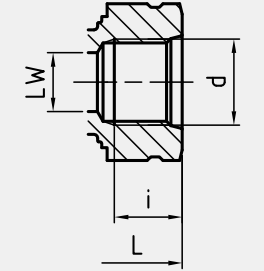
*Article usually in stock.

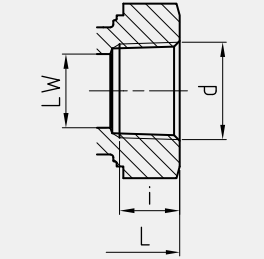
2-way ball valve Steel

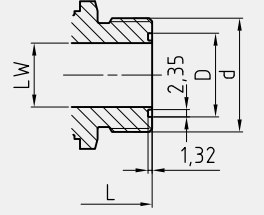
BKH / BKHP420

Two-way

| CONNECTION TYPE | DIMENSIONS | | | | | | | ORDER CODE PER MATERIAL COMBINATION | | |
|---|------------------|----|----|-----|------|----------|-------------|-------------------------------------|--------|--------|
| | Type | LW | RA | L | i | d | Weight [Kg] | PN [bar] | 112A | 1128 |
|  DIN 2353 / ISO 8434-1 HEAVY SERIES | BKH-DN4-8S | 5 | 8 | 73 | 7 | M 16x1,5 | 0,38 | 500 | 18168* | 25713* |
| | BKH-DN6-10S | 6 | 10 | 73 | 7,5 | M 18x1,5 | 0,39 | 500 | 18386* | 25714* |
| | BKH-DN8-12S | 8 | 12 | 76 | 7,5 | M 20x1,5 | 0,39 | 500 | 17255* | 25715* |
| | BKH-DN10-14S | 10 | 14 | 80 | 8 | M 22x1,5 | 0,50 | 500 | 21515* | 25716* |
| | BKH-DN13-16S | 13 | 16 | 86 | 8,5 | M 24x1,5 | 0,60 | 500 | 17384* | 17984* |
| | BKH-DN13-20S | 13 | 20 | 90 | 10,5 | M 30x2 | 0,60 | 500 | 18169* | 25718* |
| | BKH-DN16-20S | 15 | 20 | 90 | 10,5 | M 30x2 | 0,80 | 420 | 17371* | 22625* |
| | BKH-DN20-25S | 20 | 25 | 109 | 12 | M 36x2 | 1,55 | 420 | 17624* | 25719* |
| | BKH-DN25-30S | 25 | 30 | 120 | 13,5 | M 42x2 | 2,10 | 315 | 18673* | 22864* |
| | BKHP420-DN25-30S | 25 | 30 | 130 | 13,5 | M 42x2 | 3,06 | 420 | 44029 | 44030 |
| | BKH-DN25/32-38S | 25 | 38 | 124 | 16 | M 52x2 | 2,30 | 315 | 21517* | 25720* |

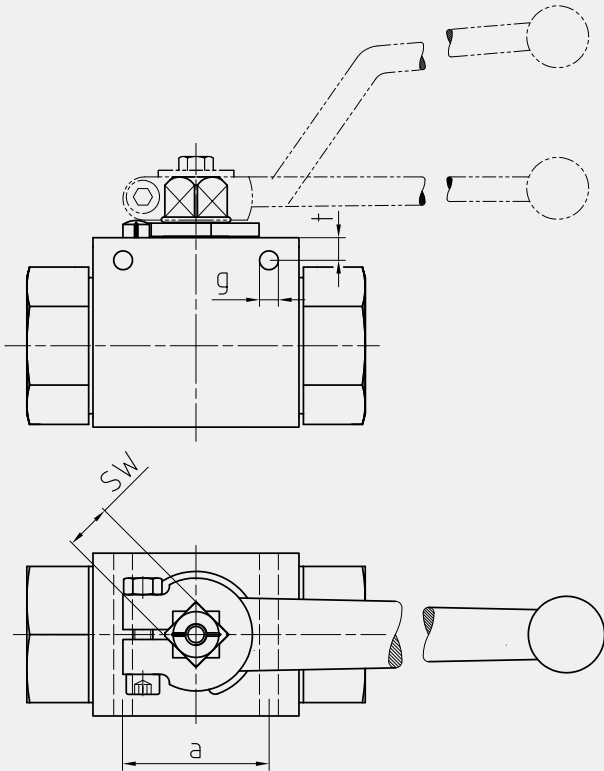
| CONNECTION TYPE | DIMENSIONS | | | | | | ORDER CODE PER MATERIAL COMBINATION | | |
|---|-------------------------|----|-----|----|---------------|-------------|-------------------------------------|--------|--------|
| | Type | LW | L | i | d | Weight [Kg] | PN [bar] | 112A | 1128 |
|  SAE J514/ISO/DIS11926-1 FEMALE THREAD | BKH-DN6-7/16" UNF | 5 | 69 | 12 | 7/16"-20 UNF | 0,40 | 500 | 28609* | 10046* |
| | BKH-DN10-9/16" UNF | 10 | 72 | 13 | 9/16"-18 UNF | 0,50 | 500 | 23885* | 09793* |
| | BKH-DN13-3/4" UNF | 13 | 83 | 15 | 3/4"-16 UNF | 0,70 | 500 | 22842* | 27701* |
| | BKH-DN20-1 1/16" UN | 20 | 95 | 20 | 1 1/16"-12 UN | 1,55 | 420 | 19202* | 27122* |
| | BKH-DN25-1 5/16" UN | 25 | 113 | 20 | 1 5/16"-12 UN | 2,20 | 315 | 37159* | 10048* |
| | BKHP420-DN25-1 5/16" UN | 25 | 121 | 20 | 1 5/16"-12 UN | 3,06 | 420 | 45667 | 45669 |

| CONNECTION TYPE | DIMENSIONS | | | | | | ORDER CODE PER MATERIAL COMBINATION | | |
|---|-----------------------|----|-----|------|-----------|-------------|-------------------------------------|-------|-------|
| | Type | LW | L | i | d | Weight [Kg] | PN [bar] | 112A | 1128 |
|  ISO 7/1 Rc FEMALE THREAD | BKH-DN4-Rc 1/8" | 5 | 69 | 7,4 | Rc 1/8" | 0,40 | 500 | 12050 | 59580 |
| | BKH-DN6-Rc 1/4" | 6 | 69 | 11 | Rc 1/4" | 0,39 | 500 | 10105 | 14758 |
| | BKH-DN10-Rc 3/8" | 10 | 72 | 11,4 | Rc 3/8" | 0,55 | 500 | 26165 | 16185 |
| | BKH-DN13-Rc 1/2" | 13 | 83 | 15 | Rc 1/2" | 0,64 | 500 | 10106 | 35501 |
| | BKH-DN20-Rc 3/4" | 20 | 95 | 16,3 | Rc 3/4" | 1,59 | 420 | 09384 | 24264 |
| | BKH-DN25-Rc 1" | 25 | 113 | 19 | Rc 1" | 2,30 | 315 | 09800 | 51889 |
| | BKHP420-DN25-Rc 1" | 25 | 113 | 19 | Rc 1" | 3,20 | 420 | 59578 | 59579 |
| | BKH-DN25/32-Rc 1 1/4" | 25 | 120 | 21,4 | Rc 1 1/4" | 2,37 | 315 | 11752 | 59581 |

| CONNECTION TYPE | DIMENSIONS | | | | | | | ORDER CODE PER MATERIAL COMBINATION | | |
|--|-------------------------------|------|-------|----------------|---------------|--------------|-------------|-------------------------------------|------------|------|
| | Type | LW | L | D | d | O-ring** | Weight [Kg] | PN [bar] | 112A | 1128 |
|  ISO 8434-3 ORFS MALE THREAD | BKH-DN6 | | | | | on request | | | | |
| | BKH-DN8-11/16" UN ISO8434-3 | 6,5 | 73 | 12,6 | 11/16"-16 UN | 9,25 x 1,78 | 0,40 | 500 | on request | |
| | BKH-DN10-13/16" UN ISO8434-3 | 9,5 | 80 | 15,77 | 13/16"-16 UN | 12,42 x 1,78 | 0,50 | 500 | on request | |
| | BKH-DN13-1" UNS ISO8434-3 | 12,5 | 90 | 19 | 1-14" UNS | 15,6 x 1,78 | 0,60 | 400 | on request | |
| | BKH-DN16-1 3/16" UN ISO8434-3 | 15 | 98 | 22,17 | 1 3/16"-12 UN | 18,77 x 1,78 | 0,80 | 400 | on request | |
| | BKH-DN20-1 7/16" UN ISO8434-3 | 20 | 111 | 26,87 | 1 7/16"-12 UN | 23,52 x 1,78 | 1,60 | 400 | on request | |
| BKH-DN25-1 11/16" UN ISO8434-3 | 25 | 120 | 33,25 | 1 11/16"-12 UN | 29,87 x 1,78 | 2,10 | 250 | on request | | |

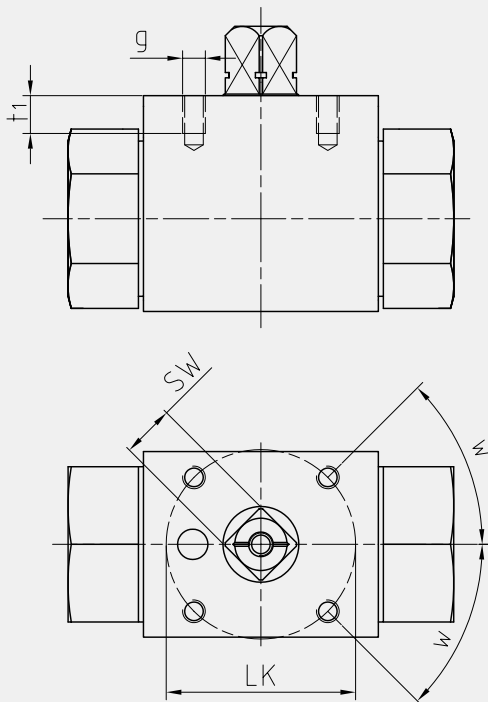
Please note the pressure ratings of the tube connections!
**O-ring included

*Article usually in stock.



ASSEMBLING HOLES

| DN | SW | a | g | t |
|-------|----|----|-----|-----|
| 4 | 9 | 31 | 4,3 | 4,5 |
| 6 | 9 | 31 | 4,3 | 4,5 |
| 10 | 9 | 32 | 4,3 | 4 |
| 13 | 9 | 32 | 4,3 | 4 |
| 16 | 12 | 32 | 5,2 | 6 |
| 20 | 14 | 44 | 6,2 | 6 |
| 25 | 14 | 44 | 6,3 | 6 |
| 25 | 14 | 44 | 6,3 | 6 |
| 25/32 | 14 | 44 | 6,3 | 6 |
| 25/40 | 14 | 44 | 6,3 | 6 |



ASSEMBLING THREADS AS PER ISO 5211

| DN | SW | LK | g | t ₁ | w | ISO 5211 |
|-------|----|----|----|----------------|------|----------|
| 4 | 9 | 36 | M5 | 6 | 30°* | (F03)* |
| 6 | 9 | 36 | M5 | 6 | 30°* | (F03)* |
| 10 | 9 | 36 | M5 | 7 | 45° | F03 |
| 13 | 9 | 36 | M5 | 6 | 45° | F03 |
| 16 | 12 | 42 | M5 | 8 | 45° | F04 |
| 20 | 14 | 50 | M6 | 10 | 45° | F05 |
| 25 | 14 | 50 | M6 | 10 | 45° | F05 |
| 25 | 14 | 50 | M6 | 10 | 45° | F05 |
| 25/32 | 14 | 50 | M6 | 10 | 45° | F05 |
| 25/40 | 14 | 50 | M6 | 10 | 45° | F05 |

*30° does not correspond to ISO 5211