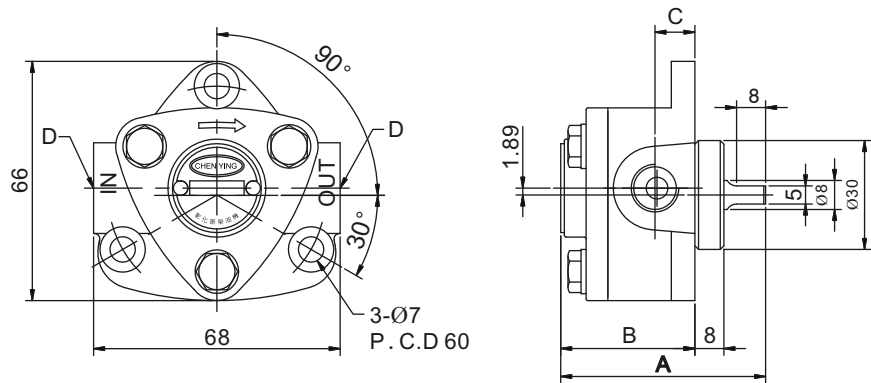




Rotary Oil Pump (Clockwise or Anti-clockwise)



Model	A	B	C	D	Place of production
NOP-10A	55	36	11	PT1/8	Made in Japan
NOP-11A	56.5	37	11	PT1/8	
NOP-12A	61.5	42	11	PT1/4	
NOP-13A	76.5	57	14	PT3/8	
TOP-11A-1	56.5	37	11	PT1/8	Made in Taiwan
TOP-11A-2				PT1/4	
TOP-12A	62.5	43	11	PT1/4	
TOP-12L	62.5	43	11	PT1/4	
TOP-13A	77.5	58	13.5	PT3/8	

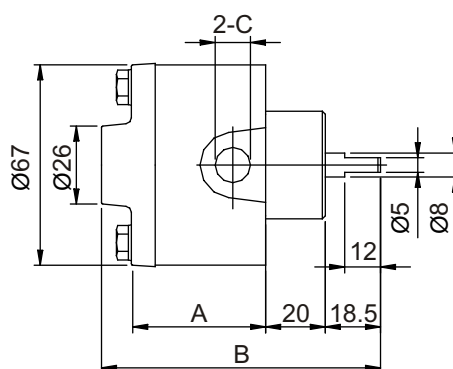
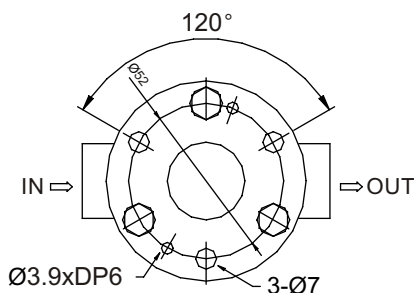
Model	Dis. Volume(L/min)		Max Pressure	R.P.M
	1420rpm	1720rpm		
NOP-10A	1.0	1.2	5kgf/cm ²	1420~1720rpm
NOP-11A	1.8	2.2		
TOP-11A				
NOP-12A				
TOP-12A	3.0	3.7	450~1200rpm	
TOP-12L				
NOP-13A	5.5	6.7	1420~1720rpm	
TOP-13A				

Rotary Oil Pump (Clockwise and Anti-clockwise)



Model	Dis. Volume(L/min)		Max Pressure	R.P.M
	1420rpm	1720rpm		
1RA-1FS	1.74	2.08	5kgf/cm ²	1420~1720rpm
1RA-2FS	2.7	3.24		
1RA-3FS	3.75	4.50		

Model	A	B	C	Place of production
1RA-1FS	85	46	PT1/4	Taiwan/Japan
1RA-2FS	89	50	PT1/4	
1RA-3FS	93	54	PT1/4	



*In millimeter unless otherwise stated.