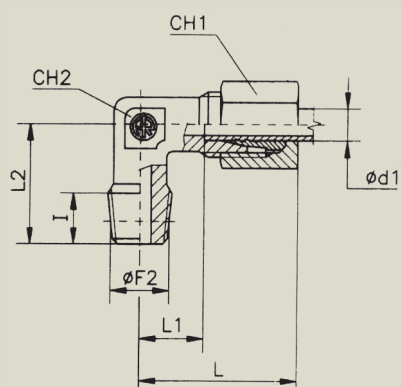




RACCORDI SPECIALI - SONDERVERSCHRAUBUNGEN - SPECIAL FITTINGS - RACCORDS SPECIAUX



TN 94

- Raccordo di estremità a gomito
- Winkel-Einschraubverschraubungen
- Stud Elbows
- Coude mâle

Filettatura:
Gas conica
NPT

Einschraubgewinde:
Withworth-Rohrgewinde kegelig
NPT

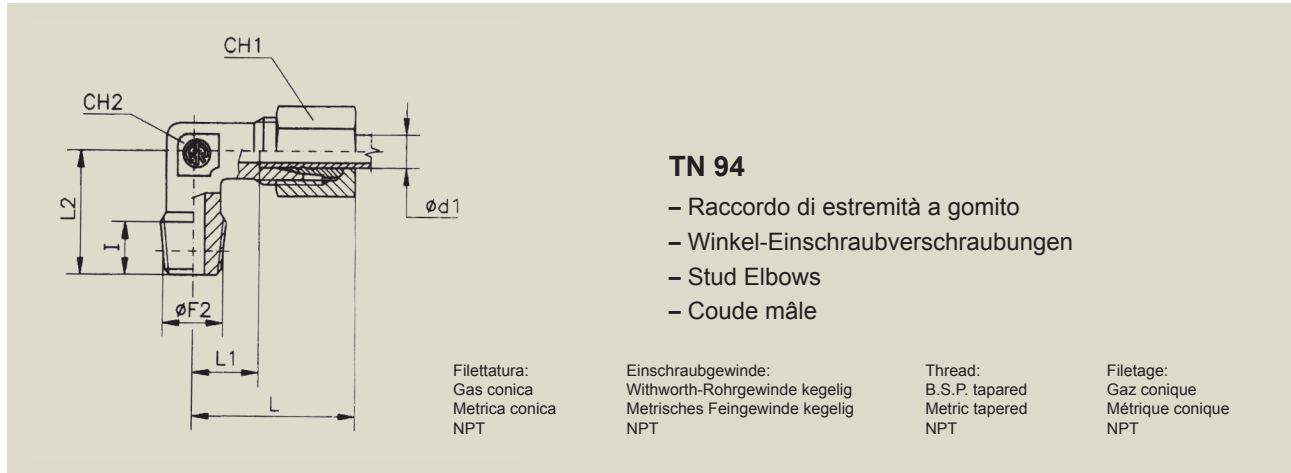
Thread:
B.S.P. tapered
NPT

Filetage:
Gaz conique
NPT

Serie Reihe Series Série	Ø Tubo Rohr AD Tube O.D. Ø Tube d ₁	PN	Ø F2		I		L	L1	L2	CH1	CH2	Simbolo di ordinazione - Bestell-Nr. Part. No. - Références		Peso Gewicht Weight Poids kg. x100 P.
			R	NPT	R	NPT						R	NPT	
			L	315	630	1/4"						1/4"	12	
1/8"	-	8				-	29	14	26	17	12	TN 94 - 8 LR 1/8"	-	3,6
3/8"	3/8"	12				12	32	17	28	17	17	TN 94 - 8 LR 3/8"	TN 94 - 8 LNPT 3/8"	6,2
3/8"	3/8"	12				12	32	17	28	19	17	TN 94 - 10 LR 3/8"	TN 94 - 10 LNPT 3/8"	7,3
1/2"	-	14				-	36	21	34	19	19	TN 94 - 10 LR 1/2"	-	11,3
1/4"	1/4"	12				12	32	17	28	22	17	TN 94 - 12 LR 1/4"	TN 94 - 12 LNPT 1/4"	7,3
1/2"	1/2"	14				14	36	21	34	22	19	TN 94 - 12 LR 1/2"	TN 94 - 12 LNPT 1/2"	11,5
3/8"	-	12				-	36	21	34	27	19	TN 94 - 15 LR 3/8"	-	12,5
S	400	630	1/2"	1/2"	14	14	39	22,5	32	24	19	TN 94 - 12 SR 1/2"	TN 94 - 12 SNPT 1/2"	13,9
			3/8"	-	12	-	43	24,5	32	30	24	TN 94 - 16 SR 3/8"	-	20,1
			1/2"	-	14	-	48	26,5	42	36	27	TN 94 - 20 SR 1/2"	-	30,8

- Le dimensioni di ingombro si intendono a raccordo chiuso.
- Baumaße sind ca.-Maße bei angezogener Überwurfmutter.

- Overall sizes are with closed fitting.
- Les dimensions d'encombrement s'entendent raccord monté.



Serie Reihe Séries Série	Ø Tubo Rohr AD Tube O.D. Ø Tube d _t	PN	Ø F2			a)						Simbolo di ordinazione - Bestell-Nr. Part. No. - Références			Peso Gewicht Weight Poids kg. x 100 P.
			R	M	NPT	I	L	L1	L2	CH1	CH2	R	M	NPT	
LL	4	100	1/8"	8 x 1	1/8"	8	21	11	17	10	9	TN 94 - 4 LLR	TN 94 - 4 LLM	TN 94 - 4 LLNPT	2,0
	5		1/8"	8 x 1	1/8"	8	21	9,5	17	12	9	TN 94 - 5 LLR	TN 94 - 5 LLM	TN 94 - 5 LLNPT	2,0
	6		1/8"	10 x 1	1/8"	8	21	9,5	17	12	9	TN 94 - 6 LLR	TN 94 - 6 LLM	TN 94 - 6 LLNPT	2,0
	8		1/8"	10 x 1	1/8"	8	23	11,5	20	14	12	TN 94 - 8 LLR	TN 94 - 8 LLM	TN 94 - 8 LLNPT	2,5
	10		1/4"	-	-	12	27	15	25	17	14	TN 94 - 10 LLR	-	-	3,5
	12		1/4"	-	-	12	25	13	23	19	17	TN 94 - 12 LLR	-	-	5,0
L	6	315	1/8"	10 x 1	1/8"	8	27	12	20	14	12	TN 94 - 6 LR	TN 94 - 6 LM	TN 94 - 6 LNPT	3,5
	8		1/4"	12 x 1,5	1/4"	12	29	14	26	17	12	TN 94 - 8 LR	TN 94 - 8 LM	TN 94 - 8 LNPT	5,0
	10		1/4"	14 x 1,5	1/4"	12	30	15	27	19	14	TN 94 - 10 LR	TN 94 - 10 LM	TN 94 - 10 LNPT	6,0
	12		3/8"	16 x 1,5	3/8"	12	32	17	28	22	17	TN 94 - 12 LR	TN 94 - 12 LM	TN 94 - 12 LNPT	8,5
	15		1/2"	18 x 1,5	1/2"	14	36	21	34	27	19	TN 94 - 15 LR	TN 94 - 15 LM	TN 94 - 15 LNPT	14,5
	18		1/2"	22 x 1,5	1/2"	14	40	23,5	36	32	24	TN 94 - 18 LR	TN 94 - 18 LM	TN 94 - 18 LNPT	17,0
	22	160	3/4"	-	3/4"	16	44	27,5	42	36	27	TN 94 - 22 LR	-	TN 94 - 22 LNPT	23,5
	28		1"	-	1"	18	47	30,5	48	41	36	TN 94 - 28 LR	-	TN 94 - 28 LNPT	37,5
	35		1 1/4"	-	1 1/4"	20	56	34,5	54	50	41	TN 94 - 35 LR	-	TN 94 - 35 LNPT	57,0
	42		1 1/2"	-	1 1/2"	22	63	40	61	60	50	TN 94 - 42 LR	-	TN 94 - 42 LNPT	83,0
S	6	630	1/4"	12 x 1,5	1/4"	12	31	16	26	17	12	TN 94 - 6 SR	TN 94 - 6 SM	TN 94 - 6 SNPT	5,5
	8		1/4"	14 x 1,5	1/4"	12	32	17	27	19	14	TN 94 - 8 SR	TN 94 - 8 SM	TN 94 - 8 SNPT	7,2
	10		3/8"	16 x 1,5	3/8"	12	34	17,5	28	22	17	TN 94 - 10 SR	TN 94 - 10 SM	TN 94 - 10 SNPT	10,3
	12		3/8"	18 x 1,5	3/8"	12	38	21,5	31	24	17	TN 94 - 12 SR	TN 94 - 12 SM	TN 94 - 12 SNPT	11,0
	14		1/2"	20 x 1,5	1/2"	14	40	22	32	27	19	TN 94 - 14 SR	TN 94 - 14 SM	TN 94 - 14 SNPT	16,0
	16	400	1/2"	22 x 1,5	1/2"	14	43	24,5	32	30	24	TN 94 - 16 SR	TN 94 - 16 SM	TN 94 - 16 SNPT	19,5
	20		3/4"	-	3/4"	16	48	26,5	42	36	27	TN 94 - 20 SR	-	TN 94 - 20 SNPT	30,3
	25		1"	-	1"	18	54	30	48	46	36	TN 94 - 25 SR	-	TN 94 - 25 SNPT	57,0
	30		1 1/4"	-	1 1/4"	20	62	35,5	54	50	41	TN 94 - 30 SR	-	TN 94 - 30 SNPT	83,0
	38		315	1 1/2"	-	1 1/2"	22	72	41	61	60	50	TN 94 - 38 SR	-	TN 94 - 38 SNPT

- Le dimensioni di ingombro si intendono a raccordo chiuso.
 - Baumaße sind ca.-Maße bei angezogener Überwurfmutter.

- Overall sizes are with closed fitting.
 - Les dimensions d'encombrement s'entendent raccord monté
 - a) TN 94 - 15 LM L2 = 32
 TN 94 - 14 SNPT L2 = 34; I = 16
 TN 94 - 16 SNPT L2 = 36; I = 16