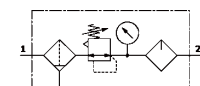
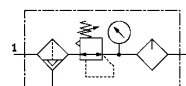


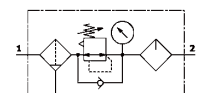
FEC



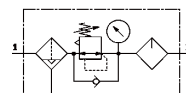
FEC MINI/MIDI Manual drain



FEC MINI/MIDI Semi or full auto drain



FEC MAXI Manual drain



FEC MAXI Full auto drain

How to Order?

Series No.	Type Code	Port Size	Regulate Range	Scale Unit	Filter Precision	Pressure Gauge Code	Regulator Type	Body Dimension	Drain Type
FE	C: Filter+regulator+lubricator CS: Filter+regulator+lubricator (With lock)	M5: M5 M7: M7 QS4: Push-in fitting QS4 QS6: Push-in fitting QS6 01: G1/8" 02: G1/4" 03: G3/8" 04: G1/2" 06: G3/4" 10: G1"	Blank: 0.5~12 bar 7: 0.5~7 bar	Blank: MPa/Bar 6: Bar/Psi	Blank: 40 μm 5M: 5 μm	DI: Directly actuate pressure regulator with integrated return flow function (FEC and MAXI size only) Blank: With pressure gauge N: No pressure gauge	MICRO: Body dimension 25mm MINI: Body dimension 40mm MIDI: Body dimension 55mm MAXI: Body dimension 66mm (All without Connecting Plates)	Blank: Manual Drain H: Semi-Autodrain A: Full-Autodrain	

Order Example:

FE series filter+regulator+lubricator, 1/8 port size, pressure regulate range 0.5~12 bar, 40 μm filter precision, body dimension 40mm. manual drain, ERP code is: FEC-01 MINI

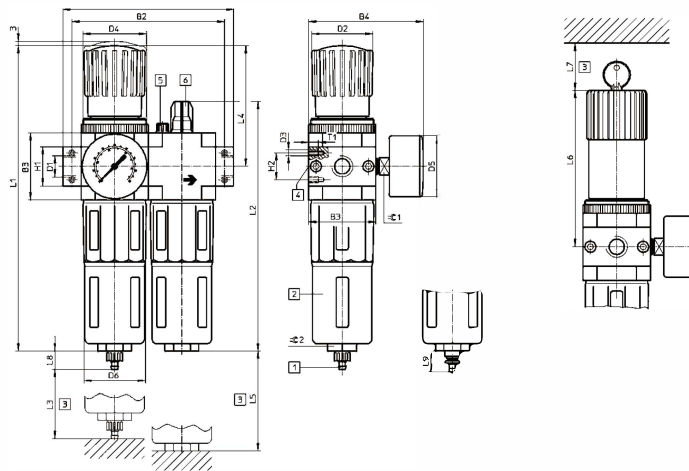
Specifications

Model	MINI			MIDI				MAXI		
	G1/8	G1/4	G3/8	G1/4	G3/8	G1/2	G3/4	G1/2	G3/4	G1
Gas interface	Compressed air									
Working medium	Compressed air									
Structural characteristics	Filter regulator, with/no pressure gauge									
	The proportion of standard oil sprayer									
Installation	In the appendix									
	Pipe installation									
Installation position	Vertical ±5°									
Valve lock	Rotary handle, With lock									
	Rotary handle, With integrated lock									
Filtering level (μm)	5 (or) 40									
The maximum delay (MPa)	0.02							0.04		
Pressure regulating range (MPa)	0.05~0.7									
	0.05~1.2									
Pressure display	The pressure gauge									
	G1/8 Preset			G1/4 Preset				G1/4 Preset		
The maximum water volume	22			43				80		
The input pressure										
The condensed water discharge	Manual			0.1~1.6MPa						
	Semi-automatic			0.15~1.6MPa						
	Fully automatic			0.2~1.2MPa						

Specifications

Model	Specifications			
	Assembly		Rated flow (L/min)	Port size (G)
	Filter with pressure reducer	Lubricator		
FEC-01-MINI	FEW-01-MINI	FEL-01-MINI	750	1/8
FEC-02-MINI	FEW-02-MINI	FEL-02-MINI	750	1/4
FEC-03-MINI	FEW-03-MINI	FEL-03-MINI	750	3/8
FEC-02-MIDI	FEW-02-MIDI	FEL-02-MIDI	2100	1/4
FEC-03-MIDI	FEW-03-MIDI	FEL-03-MIDI	2100	3/8
FEC-04-MIDI	FEW-04-MIDI	FEL-04-MIDI	2100	1/2
FEC-06-MIDI	FEW-06-MIDI	FEL-06-MIDI	2100	3/4
FEC-04-MAXI	FEW-04-MAXI	FEL-04-MAXI	8300	1/2
FEC-06-MAXI	FEW-06-MAXI	FEL-06-MAXI	8300	3/4
FEC-10-MAXI	FEW-10-MAXI	FEL-10-MAXI	8300	1

Main Dimension



Model	B1	B2	B3	B4	D1	D2	D3	D4	D5	D6
FEC-01-MINI	104	92	40	76	G1/8	31	M4	M36x 1.5	41	38
FEC-02-MINI	104	92	40	76	G1/4	31	M4	M36x 1.5	41	38
FEC-03-MINI	110	92	40	76	G3/8	31	M4	M36x 1.5	41	38
FEC-02-MIDI	140	125	55	95	G1/4	50	M5	M52x 1.5	50	52
FEC-03-MIDI	140	125	55	95	G3/8	50	M5	M52x 1.5	50	52
FEC-04-MIDI	140	125	55	95	G1/2	50	M5	M52x 1.5	50	52
FEC-06-MIDI	140	125	55	95	G3/4	50	M5	M52x 1.5	50	52
FEC-04-MAXI	162	146	66	107	G1/2	31	M5	M36x 1.5	50	65
FEC-06-MAXI	162	146	66	107	G3/4	31	M5	M36x 1.5	50	65
FEC-10-MAXI	182	157	66	107	G1	31	M5	M36x 1.5	50	65

Model	H1	H2	L1	L2	L3	L4	L5	L6	L7	L8	L9	T1	1	2
FEC-01-MINI	20	11	193	169	60	69	100	98	60	15	19	7	14	22
FEC-02-MINI	20	11	193	169	60	69	100	98	60	15	19	7	14	22
FEC-03-MINI	20	11	193	169	60	69	100	98	60	15	19	7	14	22
FEC-02-MIDI	32	22	250	204	80	99	120	130	60	15	19	8	14	24
FEC-03-MIDI	32	22	250	204	80	99	120	130	60	15	19	8	14	24
FEC-04-MIDI	32	22	250	204	80	99	120	130	60	15	19	8	14	24
FEC-06-MIDI	32	22	250	204	80	99	120	130	60	15	19	8	14	24
FEC-04-MAXI	32	22	252	228	90	82	150	111	60	15	19	8	14	24
FEC-06-MAXI	32	22	252	228	90	82	150	111	60	15	19	8	14	24
FEC-10-MAXI	40	22	252	228	90	82	150	111	60	15	19	8	14	24