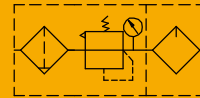


EAC2010 EAC3010 EAC4010

FR.L Unit



Specifications

Model	EAC2010-01	EAC2010-02	EAC3010-02	EAC3010-03	EAC3010-04	EAC4010-03	EAC4010-04	EAC4010-06	
Working Medium	Clean Air(after 40 μm filtration)								
Proof Pressure(MPa)	1.5								
Max. Working Pressure(MPa)	1.0								
Pressure Adjustment Range(MPa)	0.15~0.9, Low pressure type 0.15~0.4								
Working Temperature(°C)	-5~60 (No freezing)								
Filter Precision	40 μm/5 μm optional								
Recommended Oil	Turbine No.1 Oil, ISO VG32								
Bowl Material	PC(Polycarbonate)								
Water Bowl Capacity(CC)	11		40			75			
Oil Bowl Capacity(CC)	30		76			183			
Weight(g)	388		585			1628			
Component	Filter regulator	EAW2000-01	EAW2000-02	EAW3000-02	EAW3000-03	EAW3000-04	EAW4000-03	EAW4000-04	EAW4000-06
	Lubricator	EAL2000-01	EAL2000-02	EAL3000-02	EAL3000-03	EAL3000-04	EAL4000-03	EAL4000-04	EAL4000-06

How to Order?

Series No.	Port Size	Drain Type	Type No.	Pressure Gauge	Pressure Gauge Type	Scale Unit	Filter Precision	Thread Type
EAC2010:EA2000 series FR.L Unit	2000 01: 1/8" 02: 1/4" 03: 3/8" 04: 1/2" 06: 3/4"	Blank: Manual drain type① C: Semi-anto drain D: Auto Drain type	Blank: Standard type L: Low pressure type②	Blank: With pressure gauge N: No pressure gauge	F: Square pressure gauge Y: Round pressure gauge③	④ Square pressure gauge optional Round pressure gauge optional	Blank: 40 μm 5M: 5 μm	Blank: G P: PT T: NPT
EAC3010:EA3000 series FR.L Unit								
EAC4010:EA4000 series FR.L Unit		4000	03: 3/8" 04: 1/2" 06: 3/4"	4: Mpa/Psi 5: Bar/Psi				

Order Example:

EA series FR.L unit, port size of 1/2", differential pressure drain type, with square pressure gauge, Mpa, 5 μm, G thread, the ERP code is: EAC3010-04CLF15M

Remark: ①2000 series is only optional for manual drain type;

②Max pressure adjustable for low pressure type is 0.4Mpa;

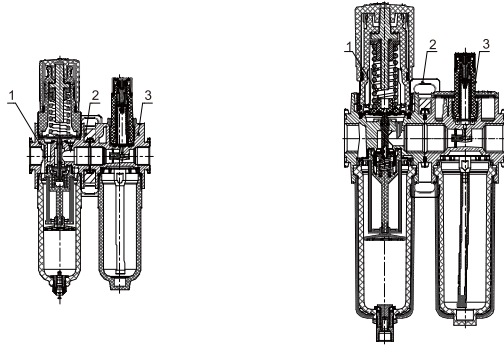
③Port of round pressure gauge is M6;

④Square pressure gauge is single scale, round pressure gauge is double scale.

EA Series Air Preparation Unit

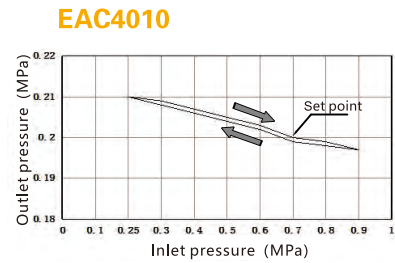
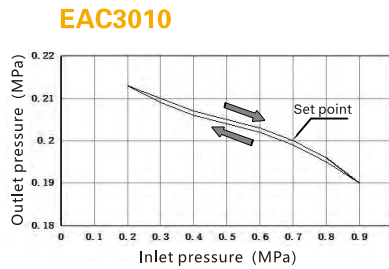
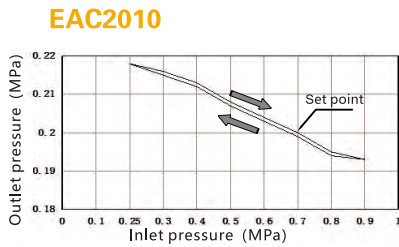


Internal Structure

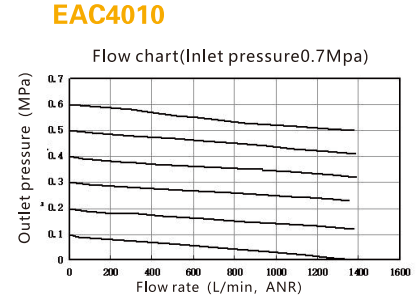
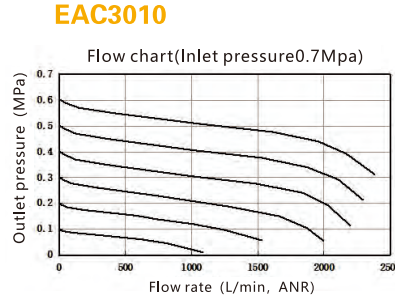
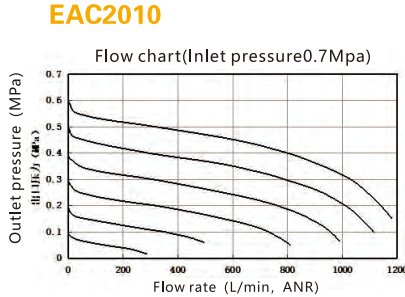


No.	Part Name
1	EA series filter regulator
2	T type bracket
3	EA series lubricator

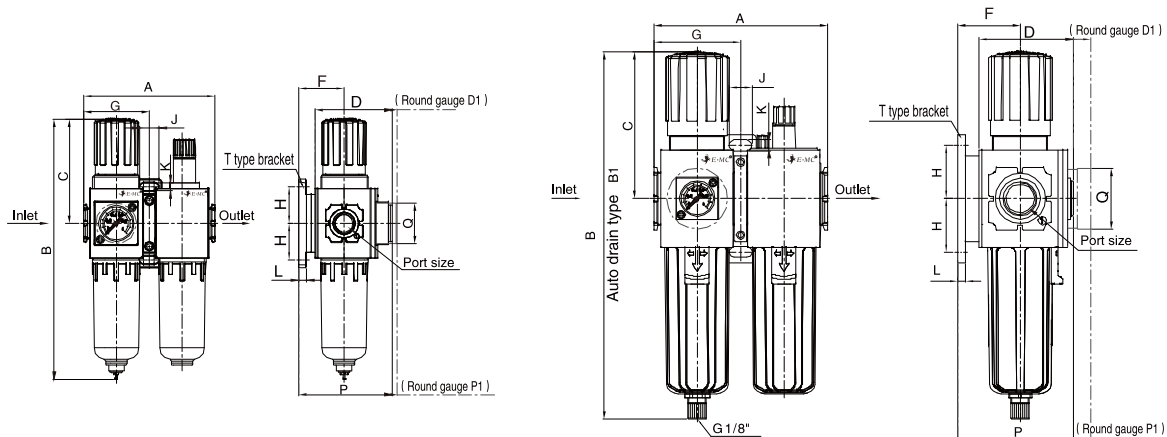
Pressure Feature



Flow Chart



Main Dimensions



Model	Port Size	A	B	B1	C	D	D1	F	G	H	J	K	L	P	P1	Q
EAC2010	1/8", 1/4"	86	171.2	-	68.6	50.6	54	30	43	24	12.5	5.5	5	61.6	65	26.5
EAC3010	1/4", 3/8", 1/2"	114	239.6	236.6	96.6	61.6	73.3	41	57	35	15	7	5	75.8	87.5	40
EAC4010	3/8", 1/2", 3/4"	160	270.2	264.5	105.4	81.8	93.5	50	80	40	17.5	8.5	7	95	106.7	40