



A107 PİSTON BOĞAZ KEÇESİ

Pamuklu bez üzerine emprenye edilen NBR malzemenin ön hazırlığı yapılarak NBR malzeme ile birlikte kalıplanması ile elde edilen bir sızdırmazlık elemanıdır.

İç çapı 40 mm den daha düşük ölçüde olanlar için parçalı tip keçe kanalı kullanılması tavsiye edilmektedir.

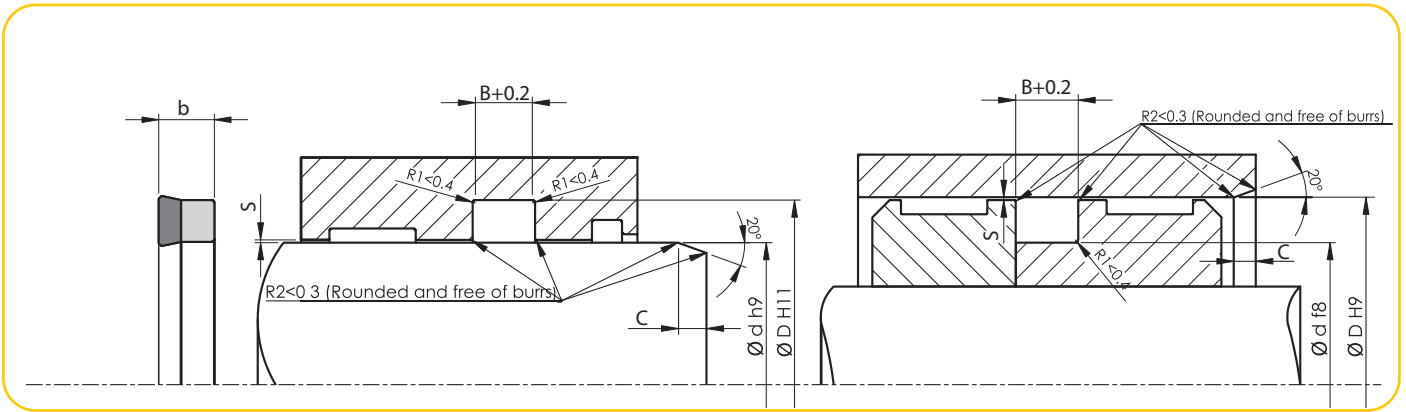
A107 ROD PISTON SEAL

A107 Piston seals are made up of NBR material impregnated on cotton fabric which is initially prepared and moulded with NBR material.

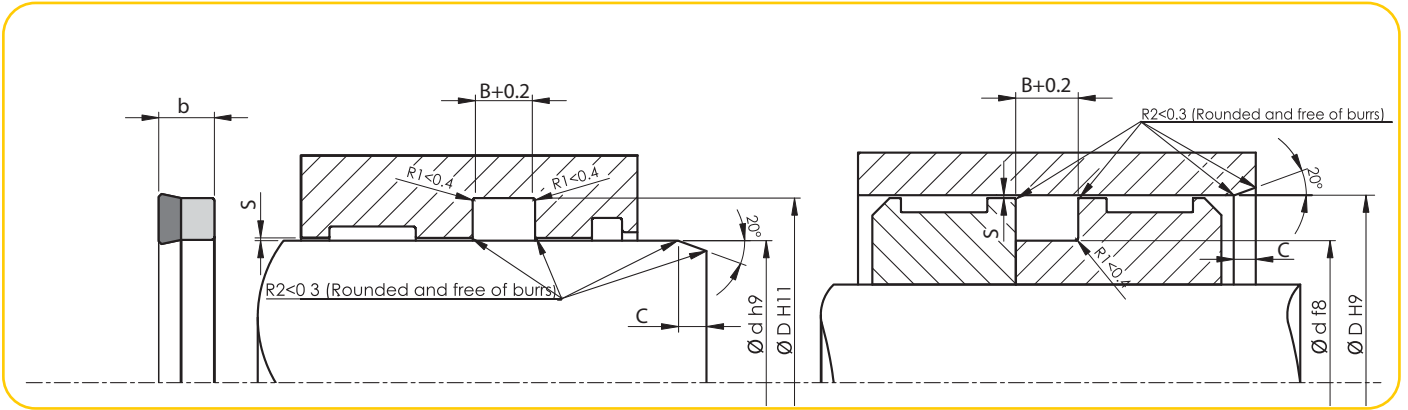
A107 Piston seals with inner dimension shorter than 40 mm are recommended to be used accompanied by open housing seal.

TEKNİK VERİLER / TECHNICAL DATA

Çalışma Basıncı / Working Pressure	250 Bar	
Çalışma Sıcaklığı / Working Temperature	-30 +105	
Kayma Hızı / Sliding Speed	0.5 m/sn	
Malzeme / Material	80 NBR + Bezli NBR / 80 NBR + Fabric NBR	
Akışkan Tipi / Media	Mineral Yağlar / Mineral Base Hydraulic Oil	
Yüzey Pürüzlülüğü / Surface Roughness		
	Ra	Rmax
Dinamik Yüzey / Dynamic Surface	≤0.3 µm	≤3 µm
Kanal Çapı / Groove Base	≤1.8 µm	≤10 µm
Yan Yüzeyler / Groove Flanks	≤3.2 µm	≤16 µm
Akma Boşluğu (Max.) NBR / Permissible Gap (max.) for NBR		
Çalışma Basıncı / Working Pressure	S (mm)	
150	0.2	
250	0.1	



ALP No - Code	Ölçü - Dimension	Ød	ØD	B	b	C
A107-004	4,76X12,70X6,35	4.76	12.7	6.35	6.05	5
A107-010	10X17X6,3	10	17	6.3	6	5
A107-010/1	10X19X6,3	10	19	6.3	6	5
A107-010/2	10X18X6	10	18	6	5.7	5
A107-012	12X20X6,3	12	20	6.3	6	5
A107-014	14X22X6,3	14	22	6.3	6	5
A107-014/1	14X22X7	14	22	7	6.7	5
A107-015	15X23X6,3	15	23	6.3	6	5
A107-016	16X24X6,3	16	24	6.3	6	5
A107-016/1	16X24X6,5	16	24	6.5	6.2	5
A107-016/2	16X24X7	16	24	7	6.7	5
A107-018	18X26X6,3	18	26	6.3	6	5
A107-018/1	18X24X5,2	18	24	5.2	4.9	5
A107-018/2	18X25X7	18	25	7	6.7	5
A107-019/1	19,5X27,5X8	19.5	27.5	8	7.7	5
A107-019	19,5X27,5X8,3	19.5	27.5	8.3	8	5
A107-020	20X28X6,3	20	28	6.3	6	5
A107-020/1	20X26X5,5	20	26	5.5	5.2	5
A107-020/2	20X27X6,5	20	27	6.5	6.2	5
A107-020/3	20X28X7	20	28	7	6.7	5
A107-020/4	20X30X8,5	20	30	8.5	8.2	5
A107-020/5	20X28X6	20	28	6	5.7	5
A107-022	22X30X6,3	22	30	6.3	6	5
A107-022/1	22X30X6,5	22	30	6.5	6.2	5
A107-022/2	22X30X7	22	30	7	6.7	5
A107-022/3	22X32X7,3	22	32	7.3	7	5
A107-022/4	22X32X7	22	32	7	6.7	5
A107-025	25X32X6,3	25	32	6.3	6	5
A107-025/2	25X33X6	25	33	6	5.7	5
A107-025/1	25X33X6,3	25	33	6.3	6	5
A107-025/3	25X35X8,3	25	35	8.3	8	5
A107-025/4	25X33X6,4	25	33	6.4	6.1	5
A107-025/6	25X35X6	25	35	6	5.7	5
A107-028	28X36X6,3	28	36	6.3	6	5
A107-025/5	25X35X9	25	35	9	8.7	5
A107-028/2	28X35X4,5	28	35	4.5	4.2	5
A107-028/1	28X36X6	28	36	6	5.7	5
A107-028/3	28X36X6,4	28	36	6.4	6.1	5
A107-028/4	28X43X11	28	43	11	10.7	5



ALP No - Code	Ölçü - Dimension	Ød	ØD	B	b	C
A107-028/5	28,57X41,27X10	28.57	41.27	10	9.7	5
A107-030/7	30X37,5X6,5	30	37.5	6.5	6.2	5
A107-031	31,75X47,62X11,6	31.75	47.62	11.6	11.3	5
A107-030/1	30X38X6	30	38	6	5.7	5
A107-030	30X38X6,3	30	38	6.3	6	5
A107-030/6	30X38X6,4	30	38	6.4	6.1	5
A107-030/8	30X40X6	30	40	6	5.7	5
A107-030/2	30X40X6,3	30	40	6.3	6	5
A107-030/4	30X40X7	30	40	7	6.7	5
A107-030/3	30X40X7,5	30	40	7.5	7.2	5
A107-030/5	30X50X14,5	30	50	14.5	14.2	5
A107-032	32X40X6,3	32	40	6.3	6	5
A107-032/1	32X44X12,5	32	44	12.5	12.2	5
A107-035	35X43X6,3	35	43	6.3	6	5
A107-035/1	35X45X8	35	45	8	7.7	5
A107-035/2	35X43X6	35	43	6	5.7	5
A107-035/4	35X43X6,5	35	43	6.5	6.2	5
A107-035/5	35X43X7,3	35	43	7.3	7	5
A107-035/6	35X45X7,5	35	45	7.5	7.2	5
A107-035/3	35X50X11,5	35	50	11.5	11.2	5
A107-036	36X44X6,3	36	44	6.3	6	5
A107-036/1	36X51X11	36	51	11	10.7	5
A107-038	38X50X9,5	38	50	9.5	9.2	5
A107-038/1	38,1X50,8X12,4	38.1	50.8	12.4	12.1	5
A107-040	40X48X6,3	40	48	6.3	6	5
A107-040/4	40X48X6,5	40	48	6.5	6.2	5
A107-040/8	40X48X7	40	48	7	6.7	5
A107-040/7	40X48X7,3	40	48	7.3	7	5
A107-040/2	40X48X8	40	48	8	7.7	5
A107-040/3	40X50X7	40	50	7	6.7	5
A107-040/1	40X50X8	40	50	8	7.7	5
A107-040/6	40X50X11	40	50	11	10.7	5
A107-040/5	40X60X14,5	40	60	14.5	14.2	5
A107-042	42X50X6,3	42	50	6.3	6	5
A107-045/7	45X53X6	45	53	6	5.7	5
A107-045/6	45X53X6,3	45	53	6.3	6	5
A107-045	45X53X8,5	45	53	8.5	8.2	5
A107-045/1	45X55X8	45	55	8	7.7	5
A107-045/2	45X55X10,5	45	55	10.5	10.2	5



ALP No - Code	Ölçü - Dimension	Ød	ØD	B	b	C
A107-045/4	45X57X9,5	45	57	9.5	9.2	5
A107-045/3	45X60X11	45	60	11	10.7	5
A107-045/5	45X65X14,5	45	65	14.5	14.2	5
A107-046	46X56X8	46	56	8	7.7	5
A107-048	48X60X10	48	60	10	9.7	5
A107-050/1	50X60X7,5	50	60	7.5	7.2	5
A107-050/2	50X60X8	50	60	8	7.7	5
A107-050/3	50X60X10	50	60	10	9.7	5
A107-050/5	50X62X9	50	62	9	8.7	5
A107-050	50X62X9,5	50	62	9.5	9.2	5
A107-050/4	50X70X14,5	50	70	14.5	14.2	5
A107-055	55X65X8	55	65	8	7.7	5
A107-055/1	55X67X10,5	55	67	10.5	10.2	5
A107-055/2	55X70X10,5	55	70	10.5	10.2	5
A107-055/3	55X63X8,3	55	63	8.3	8	5
A107-055/4	55X65X7	55	65	7	6.7	5
A107-056	56X66X8	56	66	8	7.7	5
A107-056/1	56X76X14	56	76	14	13.7	5
A107-056/2	56X71X14	56	71	14	13.7	5
A107-060/1	60X70X7,5	60	70	7.5	7.2	5
A107-060	60X70X8	60	70	8	7.7	5
A107-060/2	60X72X9,5	60	72	9.5	9.2	5
A107-060/4	60X72X10	60	72	10	9.7	5
A107-060/5	60X75X13	60	75	13	12.7	5
A107-060/3	60X80X12,5	60	80	12.5	12.2	5
A107-060/6	60X80X14,5	60	80	14.5	14.2	5
A107-063	63,5X82,55X14,28	63.5	82.55	14.28	13.98	5
A107-065	65X73X9,6	65	73	9.6	9.3	5
A107-065/1	65X77X9,6	65	77	9.6	9.3	5
A107-070	70X80X7,5	70	80	7.5	7.2	5
A107-070/5	70X80X8	70	80	8	7.7	5
A107-070/2	70X82X9	70	82	9	8.7	5
A107-070/1	70X82X9,6	70	82	9.6	9.3	5
A107-070/4	70X85X8	70	85	8	7.7	5
A107-070/6	70X85X12	70	85	12	11.7	5
A107-070/3	70X90X14	70	90	14	13.7	5
A107-075/1	75X85X8	75	85	8	7.7	5
A107-075	75X87X9,3	75	87	9.3	9	5
A107-080/3	80X90X8	80	90	8	7.7	5
A107-080/2	80X92X9	80	92	9	8.7	5
A107-080	80X92X9,6	80	92	9.6	9.3	5
A107-080/1	80X96X10	80	96	10	9.7	5
A107-085	85X97X9,6	85	97	9.6	9.3	5
A107-090	90X102X9,6	90	102	9.6	9.3	5
A107-090/1	90X110X12,5	90	110	12.5	12.2	5
A107-100	100X115X12	100	115	12	11.7	7
A107-100/1	100X120X14	100	120	14	13.7	7
A107-110	110X125X12	110	125	12	11.7	7
A107-110/1	110X130X12	110	130	12	11.7	7
A107-110/2	110X126X12,3	110	126	12.3	12	7