



A156 BOĞAZ KEÇESİ

Pamuklu bez üzerine emprenye edilen NBR malzemenin ön hazırlığı yapılarak NBR malzeme ile birlikte kalıplanması ile elde edilen bir sızdırmazlık elemanıdır. Özellikle boğaz uygulamaları için dizayn edilmiş olup POM destek ringi yüksek akma mukavemeti sağlar.

İç çapı 40 mm den daha düşük ölçüde olanlar için parçalı tip keçe kanalı kullanılması tavsiye edilmektedir.

A156 ROD SEAL

A156 Rod seals are made up of NBR impregnated on cotton fabric which is initially prepared and moulded with NBR material. They are especially designed for rod applications. POM back-up ring provides a high rate of flow resistance.

A156 Seals with inner dimension shorter than 40 mm are recommended to be used accompanied by open housing seal.

TEKNİK VERİLER / TECHNICAL DATA

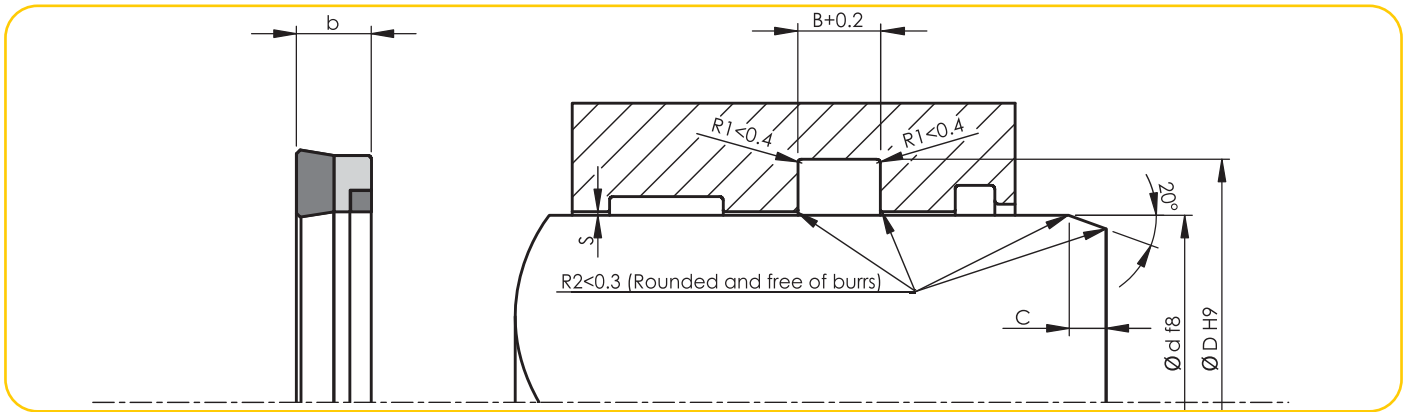
Çalışma Basıncı / Working Pressure	400 Bar
Çalışma Sıcaklığı / Working Temperature	-30 +105
Kayma Hızı / Sliding Speed	0.5 m/sn
Malzeme / Material	80 NBR+Bezli NBR+POM / 80 NBR+Fabric NBR+POM
Akışkan Tipi / Media	Mineral Yağlar / Mineral Base Hydraulic Oil

Yüzey Pürüzlülüğü / Surface roughness

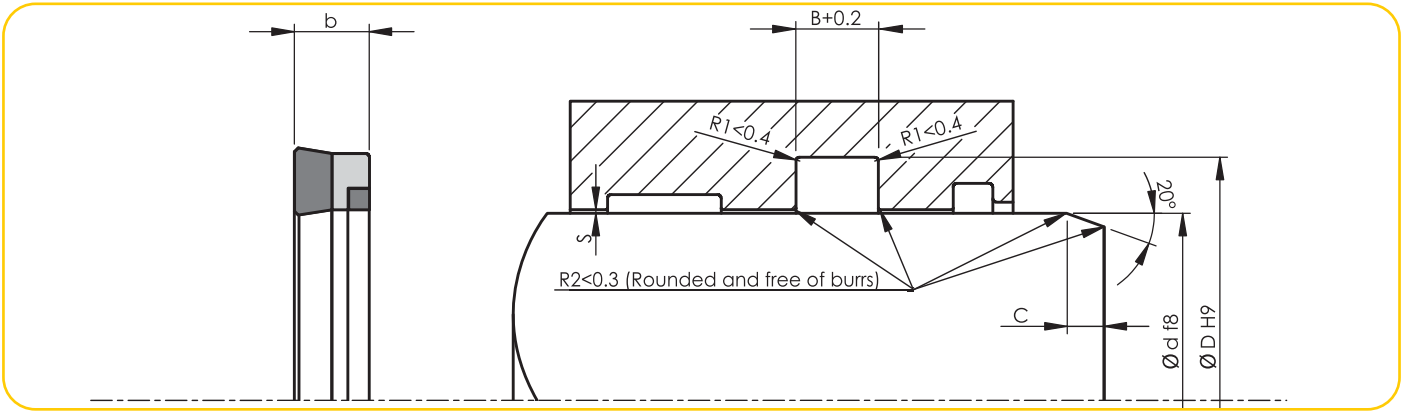
	Ra	Rmax
Dinamik Yüzey / Dynamic Surface	≤0.4 µm	≤3.2 µm
Kanal Çapı / Groove Base	≤1.8 µm	≤6.3 µm
Yan Yüzeyler / Groove Flanks	≤3.2 µm	≤16 µm

Akma Boşluğu (Max.) NBR / Permissible Gap (max.) for NBR

Basınç / Pressure (Bar)	S (mm)
150	0.4
250	0.3
400	0.2



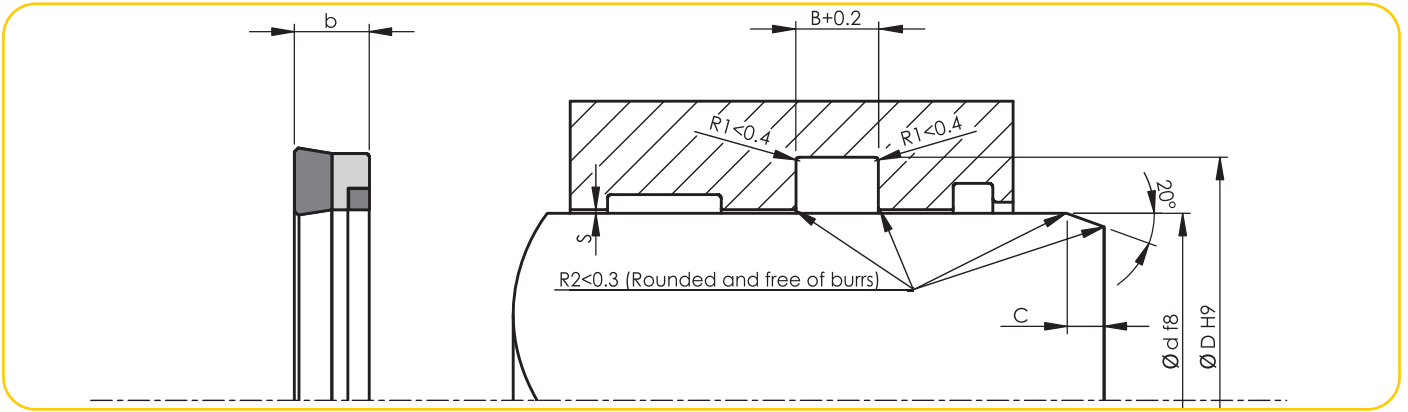
ALP No - Code	Ölçü - Dimension	Ød	ØD	B	b	C
A156-006	6X14X6,5	6	14	6.5	6.2	5
A156-012	12X23X7,5	12	23	7.5	7.2	5
A156-015	15X27X7	15	27	7	6.7	5
A156-016	16X28X7,5	16	28	7.5	7.2	5
A156-016/1	16X24X7	16	24	7	6.7	5
A156-018	18X26X6,4	18	26	6.4	6.1	5
A156-018/1	18X28X6,3	18	28	6.3	6	5
A156-018/2	18X30X7,5	18	30	7.5	7.2	5
A156-020/1	20X27X6	20	27	6	5.7	5
A156-020/2	20X28X6,3	20	28	6.3	6	5
A156-020/3	20X28X7	20	28	7	6.7	5
A156-020	20X30X8	20	30	8	7.7	5
A156-020/4	20X30X8,5	20	30	8.5	8.2	5
A156-022/1	22X29X5	22	29	5	4.7	5
A156-022/2	22X30X7	22	30	7	6.7	5
A156-022	22X32X7,5	22	32	7.5	7.2	5
A156-022/4	22X34X9,5	22	34	9.5	9.2	5
A156-022/3	22X32X10	22	32	10	9.7	5
A156-022/5	22X35X10	22	35	10	9.7	5
A156-025/1	25X33X6	25	33	6	5.7	5
A156-025/3	25X33X6,4	25	33	6.4	6.1	5
A156-025/2	25X35X8	25	35	8	7.7	5
A156-025/4	25X35X9	25	35	9	8.7	5
A156-025	25X38X9,5	25	38	9.5	9.2	5
A156-025/5	25X38X10	25	38	10	9.7	5
A156-025/6	25,4X38,1X10	25.4	38.1	10	9.7	5
A156-028/2	28X36X6,4	28	36	6.4	6.1	5
A156-028	28X38X8	28	38	8	7.7	5
A156-028/6	28X40X9	28	40	9	8.7	5
A156-028/3	28X40X9,5	28	40	9.5	9.2	5
A156-028/1	28X41X9,5	28	41	9.5	9.2	5
A156-028/4	28X41X10	28	41	10	9.7	5
A156-028/5	28,57X39,68X9,25	28.57	39.68	9.25	8.95	5
A156-030/1	30X38X6,5	30	38	6.5	6.2	5
A156-030/2	30X40X7	30	40	7	6.7	5
A156-030/3	30X40X7,5	30	40	7.5	7.2	5
A156-030/4	30X45X9	30	45	9	8.7	5
A156-030	30X40X10,5	30	40	10.5	10.2	5
A156-030/5	30X50X14,5	30	50	14.5	14.2	5



ALP No - Code	Ölçü - Dimension	Ød	ØD	B	b	C
A156-031	31,75X47,62X11,6	31.75	47.62	11.6	11.3	5
A156-032	32X40X9	32	40	9	8.7	5
A156-032/1	32X42X11	32	42	11	10.7	5
A156-032/2	32X45X10	32	45	10	9.7	5
A156-034	32,92X50,8X8,2	32.92	50.8	8.2	7.9	5
A156-035/4	35X45X7	35	45	7	6.7	5
A156-035/2	35X45X10	35	45	10	9.7	5
A156-035	35X45X10,5	35	45	10.5	10.2	5
A156-035/1	35X50X10,5	35	50	10.5	10.2	5
A156-035/3	35X50X11,5	35	50	11.5	11.2	5
A156-036	36X43X6,5	36	43	6.5	6.2	5
A156-036/1	36X44X6,4	36	44	6.4	6.1	5
A156-036/2	36X46X8,5	36	46	8.5	8.2	5
A156-036/4	36X48X9,5	36	48	9.5	9.2	5
A156-036/3	36X48X12	36	48	12	11.7	5
A156-038/1	38,1X50,8X10	38.1	50.8	10	9.7	5
A156-038/3	38,1X50,8X11,68	38.1	50.8	11.68	11.38	5
A156-038	38X55X10,5	38	55	10.5	10.2	5
A156-038/2	38,1X53,97X10,5	38.1	53.97	10.5	10.2	5
A156-040/3	40X48X6,5	40	48	6.5	6.2	5
A156-040/6	40X50X8	40	50	8	7.7	5
A156-040/5	40X50X10	40	50	10	9.7	5
A156-040	40X50X10,5	40	50	10.5	10.2	5
A156-040/2	40X50X11	40	50	11	10.7	5
A156-040/7	40X55X8	40	55	8	7.7	5
A156-040/1	40X55X10,5	45	55	10.5	10.2	5
A156-040/4	40X55X11	40	55	11	10.7	5
A156-040/8	40X60X14,5	40	60	14.5	14.2	5
A156-042	42X52X9	42	52	9	8.7	5
A156-044	44,45X53,97X7,14	44.45	53.97	7.14	6.84	5
A156-044/1	44,45X53,97X7,62	44.45	53.97	7.62	7.32	5
A156-044/2	44,45X60,32X11,6	44.45	60.32	11.6	11.3	5
A156-045/4	45X55X7,5	45	55	7.5	7.2	5
A156-045/3	45X55X8	45	55	8	7.7	5
A156-045	45X55X10,5	45	55	10.5	10.2	5
A156-045/2	45X55X11	45	55	11	10.7	5
A156-045/5	45X57X10	45	57	10	9.7	5
A156-045/1	45X60X10,5	45	60	10.5	10.2	5
A156-045/6	45X65X14,5	45	65	14.5	14.2	5



ALP No - Code	Ölçü - Dimension	Ød	ØD	B	b	C
A156-050/7	50X60X7,5	50	60	7.5	7.2	5
A156-050/8	50X60X8	50	60	8	7.7	5
A156-050/3	50X60X10	50	60	10	9.7	5
A156-050/2	50X60X10,5	50	60	10.5	10.2	5
A156-050/5	50X62X8	50	62	8	7.7	5
A156-050/1	50X62X10	50	62	10	9.7	5
A156-050	50X65X10,5	50	65	10.5	10.2	5
A156-050/4	50X65X11	50	65	11	10.7	5
A156-050/10	50X70X14	50	70	14	13.7	5
A156-050/9	50X70X14,5	50	70	14.5	14.2	5
A156-054	54X66X9,5	54	66	9.5	9.2	5
A156-055/4	55X65X8	55	65	8	7.7	5
A156-055	55X65X10,5	55	65	10.5	10.2	5
A156-055/2	55X65X11	55	65	11	10.7	5
A156-055/1	55X65X12	55	65	12	11.7	5
A156-055/5	55X70X10,5	55	70	10.5	10.2	5
A156-055/3	55X75X14	55	75	14	13.7	5
A156-055/6	55X75X14,5	55	75	14.5	14.2	5
A156-056	56X66X10,5	56	66	10.5	10.2	5
A156-056/1	56X71X10,5	56	71	10.5	10.2	5
A156-056/2	56X76X14,5	56	76	14.5	14.2	5
A156-057	57,15X69,85X10	57.15	69.85	10	9.7	5
A156-060/5	60X69,5X7	60	69.5	7	6.7	5
A156-060/7	60X70X8	60	70	8	7.7	5
A156-060	60X70X10,5	60	70	10.5	10.2	5
A156-060/6	60X70X11	60	70	11	10.7	5
A156-060/1	60X70X12,5	60	70	12.5	12.2	5
A156-060/8	60X70X13	60	70	13	12.7	5
A156-060/9	60X72X10	60	72	10	9.7	5
A156-060/4	60X75X12,5	60	75	12.5	12.2	5
A156-060/3	60X75X13	60	75	13	12.7	5
A156-060/2	60X80X14	60	80	14	13.7	5
A156-060/11	60X80X14,5	60	80	14.5	14.2	5
A156-063	63X71X9	63	71	9	8.7	5
A156-063/1	63X75X11	63	75	11	10.7	5
A156-063/5	63,5X76,2X8,5	63.5	76.2	8.5	8.2	5
A156-063/6	63,5X77,78X11,5	63.5	77.78	11.5	11.2	5
A156-063/2	63X78X12,5	63	78	12.5	12.2	5
A156-063/4	63,5X82,55X14,28	63.5	82.55	14.28	13.98	5
A156-063/3	63X83X14,5	63	83	14.5	14.2	5
A156-065/1	65X75X12,5	65	75	12.5	12.2	5
A156-065/2	65X75X13,5	65	75	13.5	13.2	5
A156-065/3	65X77X9,6	65	77	9.6	9.3	5
A156-065/4	65X80X11,5	65	80	11.5	11.2	5
A156-065	65X80X12,5	65	80	12.5	12.2	5
A156-070/4	70X80X8	70	80	8	7.7	5
A156-070	70X80X12,5	70	80	12.5	12.2	5
A156-070/5	70X80X13	70	80	13	12.7	5
A156-070/6	70X82X10,5	70	82	10.5	10.2	5
A156-070/7	70X84X12,5	70	84	12.5	12.2	5
A156-070/1	70X85X12	70	85	12	11.7	5
A156-070/2	70X85X12,5	70	85	12.5	12.2	5
A156-070/3	70X90X14	70	90	14	13.7	5
A156-075/2	75X85X11	75	85	11	10.7	5
A156-075	75X85X12,5	75	85	12.5	12.2	5
A156-075/1	75X90X11	75	90	11	10.7	5



ALP No - Code	Ölçü - Dimension	Ød	ØD	B	b	C
A156-075/3	75X90X11,5	75	90	11.5	11.2	5
A156-075/4	75X90X12,8	75	90	12.8	12.5	5
A156-075/5	75X95X14,5	75	95	14.5	14.2	5
A156-080/2	80X90X12,5	80	90	12.5	12.2	5
A156-080/4	80X93X14,5	80	93	14.5	14.2	5
A156-080/3	80X95X12	80	95	12	11.7	5
A156-080/5	80X96X10,5	80	96	10.5	10.2	5
A156-080/6	80X100X12	80	100	12	11.7	5
A156-080/1	80X100X12,5	80	100	12.5	12.2	5
A156-080	80X100X14	80	100	14	13.7	5
A156-080/7	80X100X14,5	80	100	14.5	14.2	5
A156-085/1	85X95X8	85	95	8	7.7	5
A156-085/2	85X100X12	85	100	12	11.7	5
A156-085	85X100X12,5	85	100	12.5	12.2	5
A156-085/3	85X105X14,5	85	105	14.5	14.2	5
A156-088	88,9X114,3X19,5	88.9	114.3	19.5	19.2	5
A156-090/3	90X100X10,5	90	100	10.5	10.2	5
A156-090/2	90X105X9,5	90	105	9.5	9.2	5
A156-090	90X105X12,5	90	105	12.5	12.2	5
A156-090/4	90X106,2X10,8	90	106.2	10.8	10.5	5
A156-090/1	90X110X12,5	90	110	12.5	12.2	5
A156-095	95X105X11	95	105	11	10.7	5
A156-095/1	95X112X12	95	112	12	11.7	5
A156-095/2	95X115X14,5	95	115	14.5	14.2	5
A156-100	100X115X12,5	100	115	12.5	12.2	7
A156-100/1	100X120X14	100	120	14	13.7	7
A156-100/2	100X125X19	100	125	19	18.7	7
A156-100/3	100X120X24,5	100	120	24.5	24.2	7
A156-100/4	100X115X11,5	100	115	11.5	11.2	7
A156-100/5	100X120X12	100	120	12	11.7	7
A156-100/6	100X120X14,5	100	120	14.5	14.2	7
A156-100/7	100X125X20	100	125	20	19.7	7
A156-105	105X115X11	105	115	11	10.7	7
A156-105/1	105X125X12,5	105	125	12.5	12.2	7
A156-110	110X130X12,5	110	130	12.5	12.2	7
A156-110/1	110X125X12	110	125	12	11.7	7
A156-110/2	110X135X15,5	110	135	15.5	15.2	7
A156-120	120X130X10,5	120	130	10.5	10.2	7
A156-120/1	120X132,7X10	120	132.7	10	9.7	7

