



A104 KOMPAKT SET

Yüksek mukavemetli bez desteği sayesinde , A104 kompakt setlerimiz , yüksek sürtünme dayanımına sahip bir sızdırmazlık elemanıdır. 3 parçadan oluşmakta olan bu ürünümüz uzun süreli statik beklentilerde yüzeye yapışmamaktadır.

Uzun ömürlü A104 kompakt setlerimiz ağır çalışma şartlarına uygun bir yapıya sahiptir.

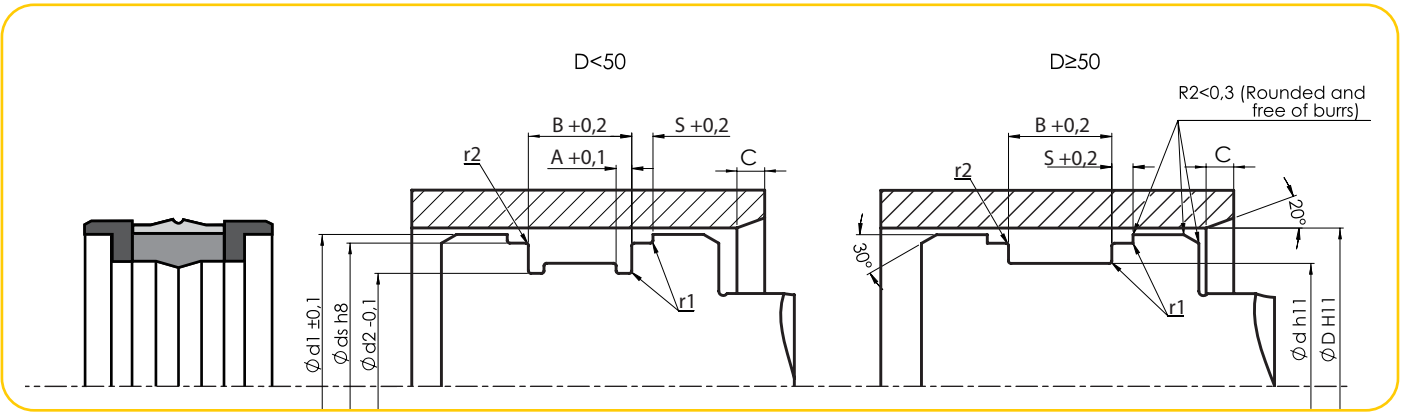
A104 COMPACT SEAL

Thanks to its fabric reinforcement with high mechanical strength , our A104 compact seals has high abrasion resistance. A104 compact seals , which does not stick on surfaces , are consist of 3 pieces.

With its long-life , our A104 compact seals are ready for heavy duty applications.

TEKNİK VERİLER / TECHNICAL DATA

Çalışma Basıncı / Working Pressure	400 Bar	
Çalışma Sıcaklığı / Working Temperature	-30 +105	
Kayma Hızı / Sliding Speed	0.5 m/sn	
Malzeme / Material	80 NBR/BEZLİ NBR/POM / 80 NBR/NBR+FABRIC/POM	
Akışkan Tipi / Media	Mineral Yağlar / Mineral Base Hydraulic Oil	
Yüzey Pürüzlülüğü / Surface Roughness		
	Ra	Rmax
Dinamik Yüzey / Dynamic Surface	≤0.4 µm	≤3.2 µm
Kanal Çapı / Groove Base	≤1.6 µm	≤6.3 µm
Yan Yüzeyler / Groove Flanks	≤3.2 µm	≤16 µm



ALP No - Code	Ölçü - Dimension	ØD	Ød	B	Øds	Ød1	Ød2	A	s	r1	r2	C
A104 025-017	25X17X13,5X3,2X21	25	17	13.5	21	24.4	14	2.1	3.2	0.4	0.2	4
A104 030-021	30X21X13,5X2,1X27	30	21	13.5	27	29.4	21	2.2	2.1	0.4	0.2	4
A104 030-022	30X22X13,5X3,2X26	30	22	13.5	26	29.4	19	2.1	3.2	0.4	0.2	4
A104 032-024	32X24X15,5X3,2X28	32	24	15.5	28	31.4	21	3.1	3.2	0.4	0.2	4
A104 035-027	35X27X15,5X3,2X31	35	27	15.5	31	34.4	24	3.1	3.2	0.4	0.2	4
A104 040-032	40X32X15,5X3,2X36	40	32	15.5	36	39.4	29	3.1	3.2	0.4	0.2	4
A104 045-037	45X37X15,5X3,2X41	45	37	15.5	41	44.4	34	3.1	3.2	0.4	0.2	4
A104 050-038	50X38X20,5X4,2X46	50	38	20.5	46	49.4	-	-	4.2	0.4	0.2	4
A104 060-048	60X48X20,5X4,2X56	60	48	20.5	56	59.4	-	-	4.2	0.4	0.2	4
A104 063-051	63X51X20,5X4,2X59	63	51	20.5	59	62.4	-	-	4.2	0.4	0.2	4
A104 070-058	70X58X20,5X4,2X66	70	58	20.5	66	69.4	-	-	4.2	0.4	0.2	4
A104 075-063	75X63X20,5X4,2X71	75	63	20.5	71	74.4	-	-	4.2	0.4	0.2	4
A104 080-065	80X65X20X5X76	80	65	20	76	78.5	-	-	5	0.4	0.2	5
A104 080-066	80X66X22,5X5,2X76	80	66	22.5	76	79.4	-	-	5.2	0.4	0.2	4.5
A104 085-071	85X71X22,5X5,2X81	85	71	22.5	81	84.4	-	-	5.2	0.4	0.2	4.5
A104 090-076	90X76X22,5X5,2X86	90	76	22.5	86	89.4	-	-	5.2	0.4	0.2	4.5
A104 100-086	100X86X22,5X5,2X96	100	86	22.5	96	99.4	-	-	5.2	0.4	0.2	4.5
A104 110-096	110X96X22,5X5,2X106	110	96	22.5	106	109.4	-	-	5.2	0.4	0.2	4.5
A104 115-101	115X101X22,5X5,2X111	115	101	22.5	111	114.4	-	-	5.2	0.4	0.2	4.5
A104 120-106	120X106X22,5X5,2X116	120	106	22.5	116	119.4	-	-	5.2	0.4	0.2	4.5
A104 125-103	125X103X26,5X7,2X121	125	103	26.5	121	124.4	-	-	7.2	0.4	0.2	6
A104 125-108	125X108X26,5X7,2X121	125	108	26.5	121	124.4	-	-	7.2	0.4	0.2	5
A104 140-123	140X123X26,5X7,2X136	140	123	26.5	136	139.4	-	-	7.2	0.4	0.2	5
A104 150-133	150X133X26,5X7,2X146	150	133	26.5	146	149.4	-	-	7.2	0.4	0.2	5
A104 160-140	160X140X25X6,3X156	160	140	25	156	159.4	-	-	6.3	0.4	0.2	6
A104 160-143	160X143X26,5X7,2X156	160	143	26.5	156	159.4	-	-	7.2	0.4	0.2	5
A104 180-163	180X163X26,5X7,2X176	180	163	26.5	176	179.4	-	-	7.2	0.4	0.2	5
A104 200-180	200X180X31,5X9,2X196	200	180	31.5	196	199.4	-	-	9.2	0.4	0.2	6
A104 220-200	220X200X31,5X9,2X216	220	200	31.5	216	219.4	-	-	9.2	0.4	0.2	6
A104 250-225	250X225X31,5X6,6X246	250	225	31.5	246	249.4	-	-	6.6	0.4	0.2	6
A104 250-230	250X230X31,5X9,2X246	250	230	31.5	246	249.4	-	-	9.2	0.4	0.2	6