

SLG系列二位二通电磁阀 (常闭型) SLG series 2/2 Solenoid Valve (Normal Close)



SLG5404 Series

SLG5404 系列

256

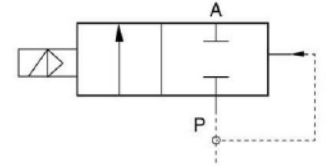


SLG5404-04



SLG5404-04D

High Pressure
高压



订货举例 How to Order?

SLG5404 -- 15 -- E1 --

SLG5404 系列
SLG5404 series

接管口径
Port size
15: 1/2"
20: 3/4"
25: 1"

电压
Voltage
E1: AC110V
E2: AC220V
E3: AC380V
E4: DC24V
E5: DC12V
E7: AC24V

空白: 引出线式线圈
D: DIN接线盒式封型线圈
Blank: Flying leads type
D: DIN connector

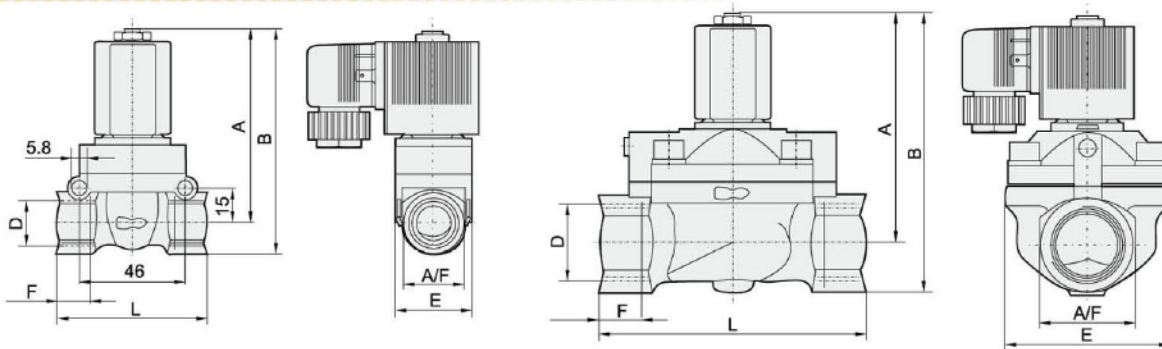
* SLG5404系列, 1/2"接管口径, 引出线式线圈, 电压 AC220V, 型号: SLG5404-15E2

* SLG5404 series, 1/2" port size, flying leads coil, voltage: AC220V, Model: SLG5404-15E2

产品特性 Product Features

- * 常闭电磁阀, 铜阀体
- * 高压, PTFE密封件
- * 活塞先导式, 耐高温高压
- * Normal close, brass body
- * High pressure, PTFE seal
- * Piston pilot solenoid valve with high working pressure and temperature

外形尺寸图 Main Dimensions (mm)



型号 Model	流量口径 Orifice(mm)	接管口径 Port size	A	B	F	E	L	A/F
SLG5404-15	12	1/2"	83	95.5	14	32	65	27
SLG5404-20	20	3/4"	99.5	119	16	60	92	40
SLG5404-25	25	1"	99.5	119	16	60	92	40

规格 Specifications

* 以下表格中电压为AC220V Voltage: AC220V

型号 Model	SLG5404-15E2	SLG5404-20E2	SLG5404-25E2
工作介质 Working medium	空气、水、油 / Air, Water, Oil		
动作型式 Acting type	先导式, 常闭 / Pilot type, N.C.		
流量孔径 Orifice (mm)	12	20	25
CV值 CV value	2	5	10
接管口径 Port size	1/2"	3/4"	1"
工作压力 Working pressure (Bar)	气体/GAS:1-50, 液体/Liquid:1-50	气体/GAS:1-40, 液体/Liquid:1-25	气体/GAS:1-40, 液体/Liquid:1-25
最大耐压力 Guaranteed pressure(Bar)	75	60	
电压波动范围 Voltage range	-15 ~ 10%		
工作温度 Working temperature (°C)	-5~150		
耗电量 Power consumption	AC:5.5VA, DC:9W		
本体材质 Valve body material	黄铜 Brass		
密封件材质 Seal material	聚四氟乙烯 PTFE		