



A205 NUTRING DUDAKLI TOZ KEÇESİ

Hidrolik silindirlerde dış ortamdan gelebilecek olumsuz partikülleri engellemek ve sahip olduğu 2.sızdırmazlık dudağı sayesinde piston kolundaki yağ filmi kalınlığını inceltmek amacı ile tasarlanmış kombine toz keçemizdir.

Boğaz keçeleri ile A205 Nutring dudaklı toz keçesi arasında Hidro dinamik basınç problemi oluşmaması için uygun bir boğaz keçesi ile birlikte kombine edilmeli yada bu bölgeye drenaj kanalı açılmalıdır.

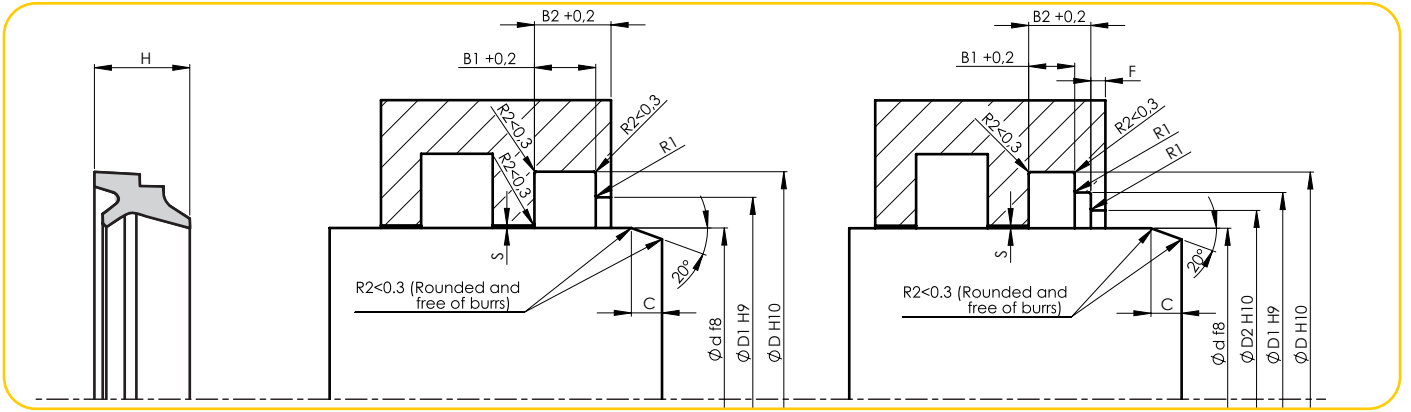
A205 DOUBLE WIPER

A205 Combined double wipers are designed to prevent hydraulic cylinders from any unfavourable particles incoming from external environment and refine oil film thickness in the connecting rod of cylinders with their second sealing lip.

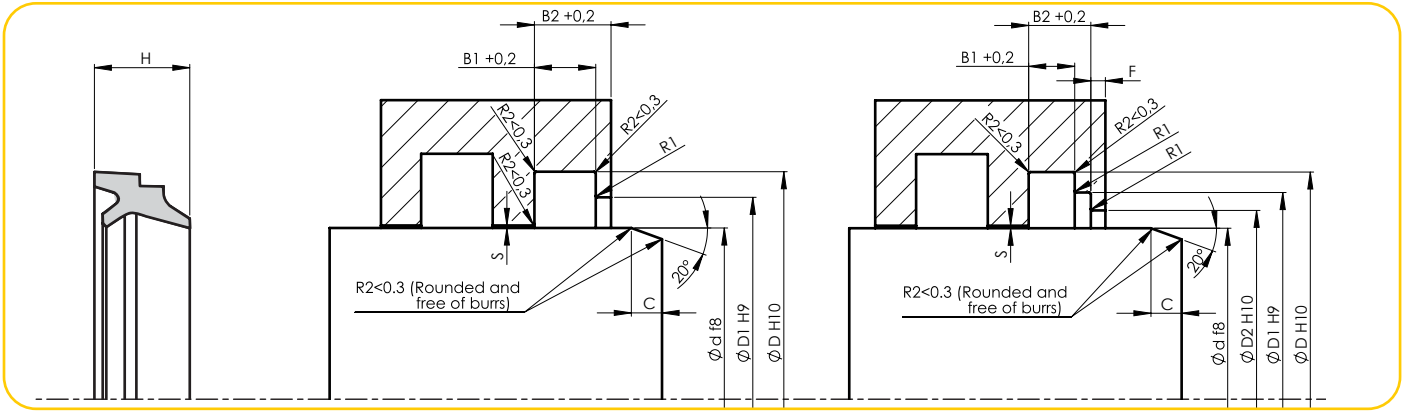
In order to avoid any possible hydro dynamic pressure problems between rod seals and A205 double wipers, they must be combined with suitable rod seals or drainage channel must be opened in this area.

TEKNİK VERİLER / TECHNICAL DATA

Standart Malzemeler / Standard Materials	NBR	PU
Çalışma Sıcaklığı / Working Temperature	-30 +105	-30 +100
Kayma Hızı / Sliding Speed	1.00 m/sn	1.00 m/sn
Malzeme / Material	90 NBR	92 PU
Akışkan Tipi / Media	Mineral Yağlar / Mineral Base Hydraulic Oil	
Yüzey Pürüzlülüğü / Surface Roughness		
	Ra	Rmax
Dinamik Yüzey / Dynamic Surface	≤0.3 µm	≤3.2 µm
Kanal Çapı / Groove Base	≤1.8 µm	≤10 µm
Yan Yüzeyler / Groove Flanks	≤3.00 µm	≤16 µm



ALP No - Code	Ölçü - Dimension	Ød	ØD	ØD1	ØD2	B1	B2	F≥	H	R1	NBR	PU
A205-008	8X14X5/4	8	14	12	9.5	3.2	4	2	5	0.5	NBR	PU
A205-010/1	10X16X7/5	10	16	14	11.5	4	5	2	7	0.5	NBR	PU
A205-010	10X18X8/6	10	18	16	13.5	4	6	2	8	0.5	NBR	PU
A205-012	12X20X8/6	12	20	18	15.5	4	6	2	8	0.5	NBR	PU
A205-014	14X22X8/6	14	22	20	17.5	4	6	2	8	0.5	NBR	PU
A205-015	15X23X8/6	15	23	21	18.5	4	6	2	8	0.5	NBR	PU
A205-016/1	16X24X7/6	16	24	22	19.5	4	6	2	7	0.5	NBR	PU
A205-016	16X24X8/6	16	24	22	19.5	4	6	2	8	0.5	NBR	PU
A205-018	18X26X8/6	18	26	24	21.5	4	6	2	8	0.5	NBR	PU
A205-020	20X28X8/6	20	28	26	23.5	4	6	2	8	0.5	NBR	PU
A205-022	22X30X8/6	22	30	28	25.5	4	6	2	8	0.5	NBR	PU
A205-024	24X32X8/6	24	32	30	27.5	4	6	2	8	0.5	NBR	PU
A205-025	25X33X8/6	25	33	31	28.5	4	6	2	8	0.5	NBR	PU
A205-026	26X34X8/6	26	34	32	29.5	4	6	2	8	0.5	NBR	PU
A205-028	28X36X8/6	28	36	34	31.5	4	6	2	8	0.5	NBR	PU
A205-030	30X38X8/6	30	38	36	33.5	4	6	2	8	0.5	NBR	PU
A205-032	32X40X8/6	32	40	38	35.5	4	6	2	8	0.5	NBR	PU
A205-035	35X43X8/6	35	43	41	38.5	4	6	2	8	0.5	NBR	PU
A205-036	36X44X8/6	36	44	42	39.5	4	6	2	8	0.5	NBR	PU
A205-037	37X45X8/6	37	45	43	40.5	4	6	2	8	0.5	NBR	PU
A205-038	38X46X8/6	38	46	44	41.5	4	6	2	8	0.5	NBR	PU
A205-040	40X48X8/6	40	48	46	43.5	4	6	2	8	0.5	NBR	PU
A205-042	42X50X8/6	42	50	48	45.5	4	6	2	8	0.5	NBR	PU
A205-045	45X53X8/6	45	53	51	48.5	4	6	2	8	0.5	NBR	PU
A205-046	46X54X8/6	46	54	52	49.5	4	6	2	8	0.5	NBR	PU
A205-048	48X56X8/6	48	56	54	51.5	4	6	2	8	0.5	NBR	PU
A205-050	50X58X8/6	50	58	56	53.5	4	6	2	8	0.5	NBR	PU
A205-052	52X60X8/6	52	60	58	55.5	4	6	2	8	0.5	NBR	PU
A205-055/1	55X63X6/4	55	63	61	58.5	4	4	2	6	0.5	NBR	PU
A205-055	55X63X8/6	55	63	61	58.5	4	6	2	8	0.5	NBR	PU
A205-056	56X64X8/6	56	64	62	59.5	4	6	2	8	0.5	NBR	PU
A205-060	60X68X8/6	60	68	66	63.5	4	6	2	8	0.5	NBR	PU
A205-063	63X71X8/6	63	71	69	66.5	4	6	2	8	0.5	NBR	PU
A205-065	65X73X8/6	65	73	71	68.5	4	6	2	8	0.5	NBR	PU
A205-068	68X76X8/6	68	76	74	71.5	4	6	2	8	0.5	NBR	PU
A205-070	70X78X8/6	70	78	76	73.5	4	6	2	8	0.5	NBR	PU
A205-075	75X83X8/6	75	83	81	78.5	4	6	2	8	0.5	NBR	PU
A205-080	80X88X8/6	80	88	86	83.5	4	6	2	8	0.5	NBR	PU
A205-085	85X93X8/6	85	93	91	88.5	4	6	2	8	0.5	NBR	PU



ALP No - Code	Ölçü - Dimension	Ød	ØD	ØD1	ØD2	B1	B2	F _≥	H	R1	NBR	PU
A205-090	90X98X8/6	90	98	96	93.5	4	6	2	8	0.5	NBR	PU
A205-095	95X103X8/6	95	103	101	98.5	4	6	2	8	0.5	NBR	PU
A205-100	100X108X8/6	100	108	106	103.5	4	6	2	8	0.5	NBR	PU
A205-105	105X117X11/8,2	105	117	114	110	5.5	8.2	3	11	1	NBR	PU
A205-105/1	105X117X8/6	105	117	114	110	5.5	8.2	3	8	1	NBR	PU
A205-110	110X122X11/8,2	110	122	119	115	5.5	8.2	3	11	1	NBR	PU
A205-113	113X125X11/8,2	113	125	122	118	5.5	8.2	3	11	1	NBR	PU
A205-115	115X127X11/8,2	115	127	124	120	5.5	8.2	3	11	1	NBR	PU
A205-120	120X132X11/8,2	120	132	129	125	5.5	8.2	3	11	1	NBR	PU
A205-125	125X137X11/8,2	125	137	134	130	5.5	8.2	3	11	1	NBR	PU
A205-130	130X142X11/8,2	130	142	139	135	5.5	8.2	3	11	1	NBR	PU
A205-135	135X147X11/8,2	135	147	144	140	5.5	8.2	3	11	1	NBR	PU
A205-140	140X152X11/8,2	140	152	149	145	5.5	8.2	3	11	1	NBR	PU
A205-142	142X154X11/8,2	142	154	151	147	5.5	8.2	3	11	1	NBR	PU
A205-145	145X157X11/8,2	145	157	154	150	5.5	8.2	3	11	1	NBR	PU
A205-150	150X162X11/8,2	150	162	159	155	5.5	8.2	3	11	1	NBR	PU
A205-155	155X167X11/8,2	155	167	164	160	5.5	8.2	3	11	1	NBR	PU
A205-160	160X172X11/8,2	160	172	169	165	5.5	8.2	3	11	1	NBR	PU
A205-165	165X177X11/8,2	165	177	174	170	5.5	8.2	3	11	1	NBR	PU
A205-170	170X182X11/8,2	170	182	179	175	5.5	8.2	3	11	1	NBR	PU
A205-172	172X184X11/8,2	172	184	181	177	5.5	8.2	3	11	1	NBR	PU
A205-175	175X187X11/8,2	175	187	184	180	5.5	8.2	3	11	1	NBR	PU
A205-180	180X192X11/8,2	180	192	189	185	5.5	8.2	3	11	1	NBR	PU
A205-185	185X197X11/8,2	185	197	194	190	5.5	8.2	3	11	1	NBR	PU
A205-190	190X202X11/8,2	190	202	199	195	5.5	8.2	3	11	1	NBR	PU
A205-192	192X204X11/8,2	192	204	201	197	5.5	8.2	3	11	1	NBR	PU
A205-195	195X207X11/8,2	195	207	204	200	5.5	8.2	3	11	1	NBR	PU
A205-200	200X212X11/8,2	200	212	209	205	5.5	8.2	3	11	1	NBR	PU
A205-205	205X220X13/9,5	205	220	216	212	6.4	9.5	3	13	1	NBR	PU
A205-210	210X225X13/9,5	210	225	221	217	6.4	9.5	3	13	1	NBR	PU
A205-215	215X230X13/9,5	215	230	227	222	6.4	9.5	3	13	1	NBR	PU
A205-220	220X235X13/9,5	220	235	231	227	6.4	9.5	3	13	1	NBR	PU
A205-225	225X240X13/9,5	225	240	236	232	6.4	9.5	3	13	1	NBR	PU
A205-230	230X245X13/9,5	230	245	241	237	6.4	9.5	3	13	1	NBR	PU
A205-235	235X250X13/9,5	235	250	247	242	6.4	9.5	3	13	1	NBR	PU
A205-240	240X255X13/9,5	240	255	251	247	6.4	9.5	3	13	1	NBR	PU
A205-245	245X260X13/9,5	245	260	257	252	6.4	9.5	3	13	1	NBR	PU
A205-250	250X265X13/9,5	250	265	261	257	6.4	9.5	3	13	1	NBR	PU
A205-258	258X273X13/9,5	258	273	270	265	6.4	9.5	3	13	1	NBR	PU

